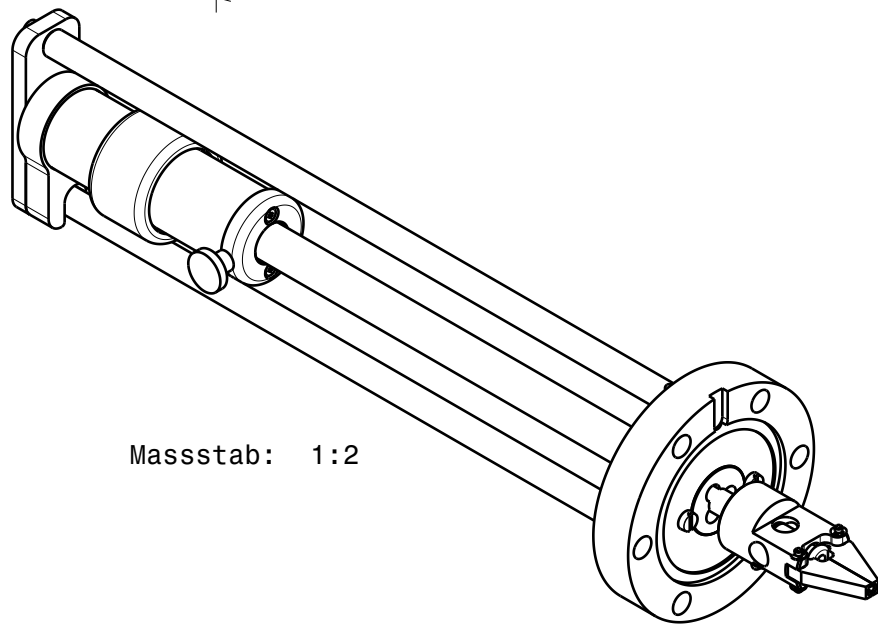
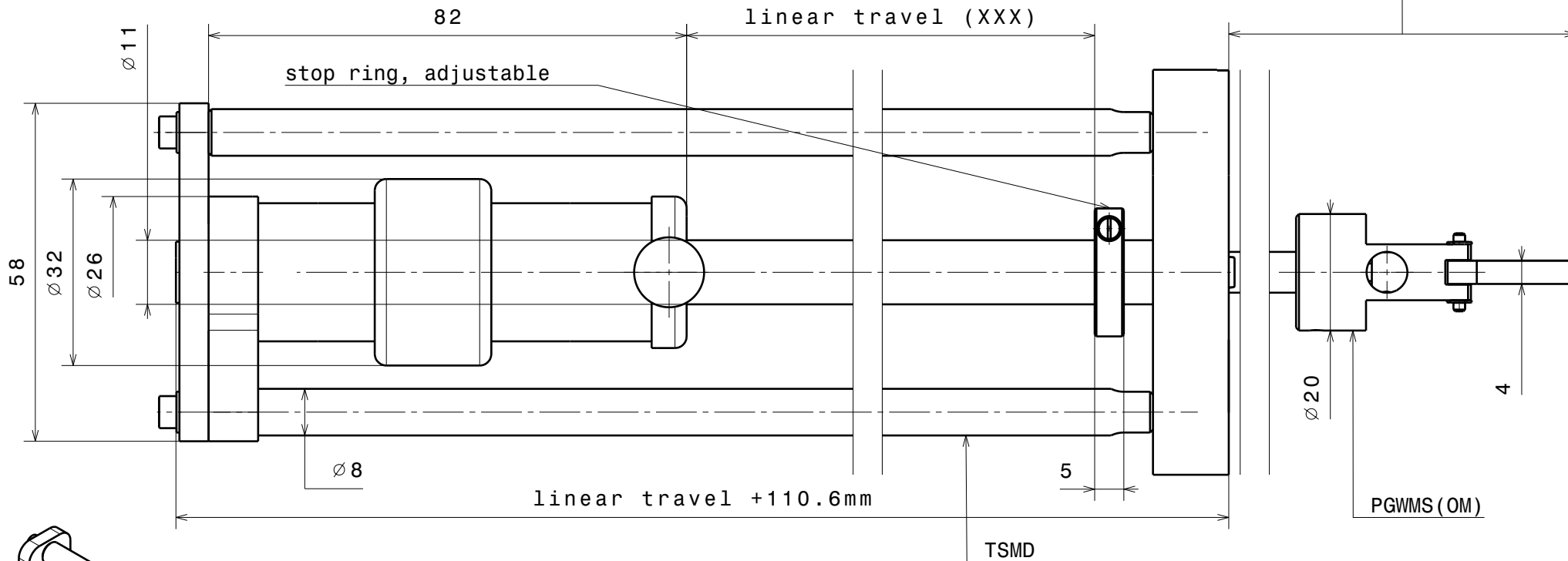


retracted length (YYY standard = 57mm)



Masstab: 1:2

Specification

bakeout temperature max. 150°C
 He leak rate < 1.0 · 10⁻¹⁰ mbar
 continuous rotation
 torque 0.4 Nm
 linear force 23 N

Material:	nominal	over	1	6	30	100	300	1000
Feedthrough MDG40 RL with Pincer Grip PGWS(OM) and TSM D	dimension up to		6	30	100	300	1000	2000
	tolerance ±		0.05	0.1	0.3	0.5	0.8	1.2
MDG	Scale	Drawn	von Gunten					
Ferrovac GmbH CH-8050 Zurich	1:1	Date	30.11.2010					
		Revised					
THE INFORMATION CONTAINED IN THIS DRAWING IS THE SOLE PROPERTY OF FERROVAC GMBH. ANY REPRODUCTION IN PART OR AS WHOLE WITHOUT OUR PERMISSION IS PROHIBITED.	MDG40 (RL) - PGWS (OM) - TSM D		sheet 1/1					