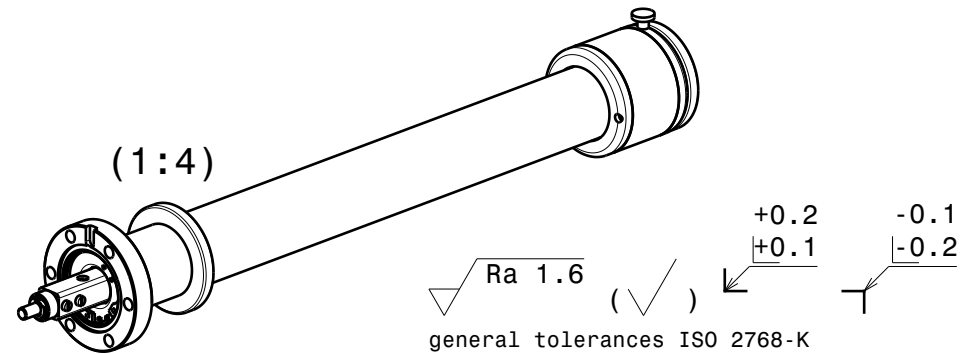
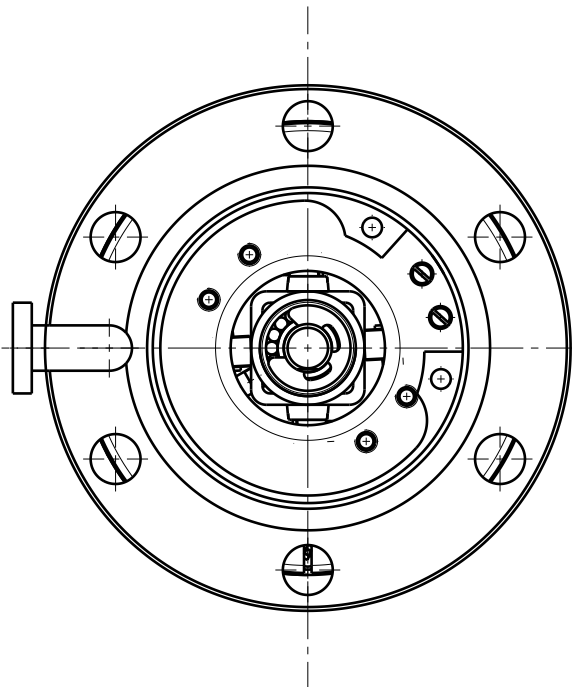
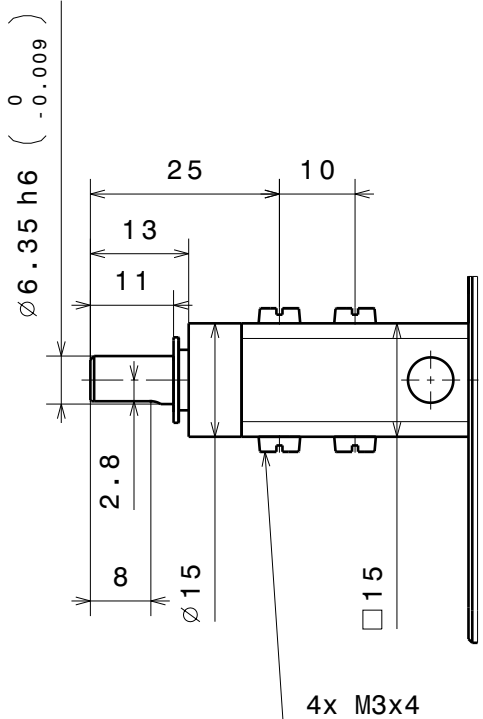
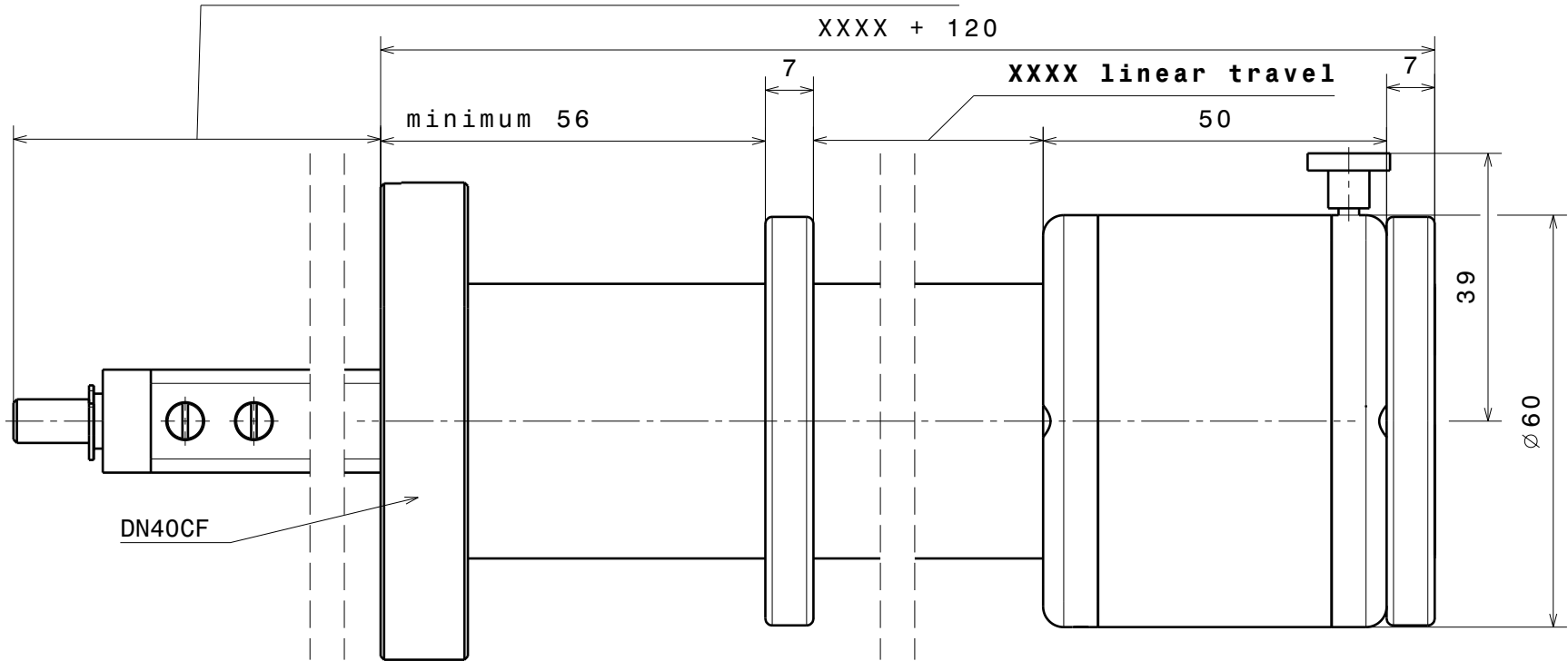


YYYY retracted (minimum 45, standard 50)

XXXX + 120



Material: all UHV compatible	nominal	min.	1	6	30	100	300	1000
Dual Shaft Sample Transporter	dimension	max.	6	30	100	300	1000	2000
	tolerance	±	0.05	0.1	0.3	0.5	0.8	1.2
RMD40	Scale	Drawn	Denys Sutter					
Ferrovac GmbH CH-8050 Zurich	1:1	Date	17.06.2010					
	Rev. C	Revised	02.09.14 CW					
			RMD40			sheet 1/1		

THE INFORMATION CONTAINED IN THIS DRAWING IS THE SOLE PROPERTY OF FERROVAC GMBH. ANY REPRODUCTION IN PART OR AS WHOLE WITHOUT OUR PERMISSION IS PROHIBITED.