

spacer 00 --> no spacer

number of units  
first stack

number of units  
second stack

spacer 4 mm

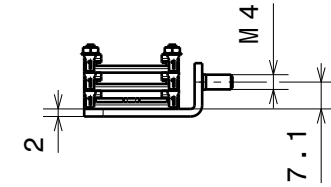
additional options

Product: RECOMSTACK(04H00S02H04S)L  
RECOMSTACK on straight adapter labeled

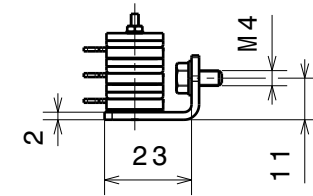
additional options:  
L: labeled  
H: inverse mounted

Example: RECOMSTACK(02H04S03H03S)L

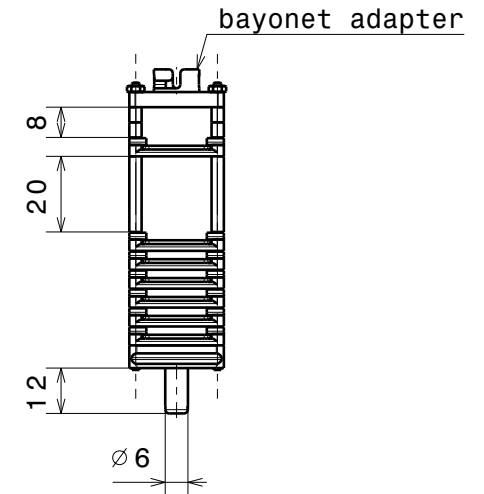
RECOMSTACK on orthogonal adapter labeled  
RECOMSTACKO(03H00S)L



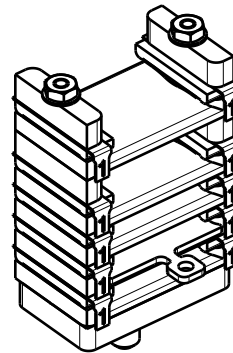
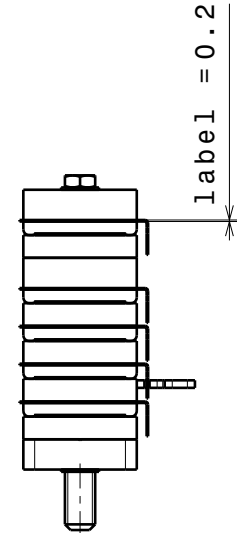
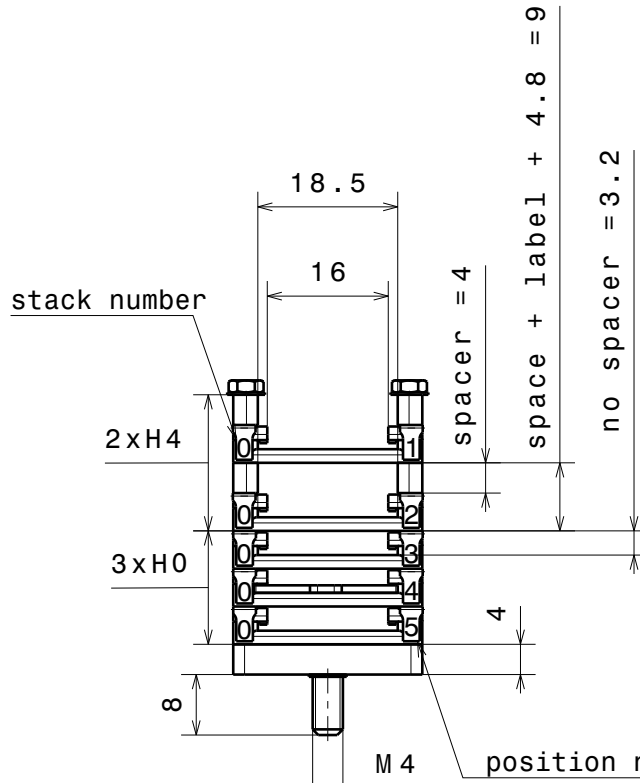
RECOMSTACK on adapter for straight access  
RECOMSTACKP(03H02S)



RECOMSTACK on bayonet adapter labeled  
RECOMSTACKT(05H00S01H20S01H10S)L



RECOMSTACK on straight adapter  
inverse mounted  
RECOMSTACK(10H04S)H



Material: fully UHV compatible materials	nominal dimension up to	1	6	30	100	300	1000
Stack of receptacles for SHOM sample plates RECOMSTACK	tolerance ±	0.05	0.1	0.3	0.5	0.8	1.2
	Scale	Drawn		Brunner			
Ferrovac CH-8050 Zurich	1:1	Date	10.06.2015				
		changed	11.10.21 CS				
THE INFORMATION CONTAINED IN THIS DRAWING IS THE SOLE PROPERTY OF FERROVAC. ANY REPRODUCTION IN PART OR AS WHOLE WITHOUT OUR PERMISSION IS PROHIBITED.	Rev. E	RECOMSTACK A3 sheet 1/1					