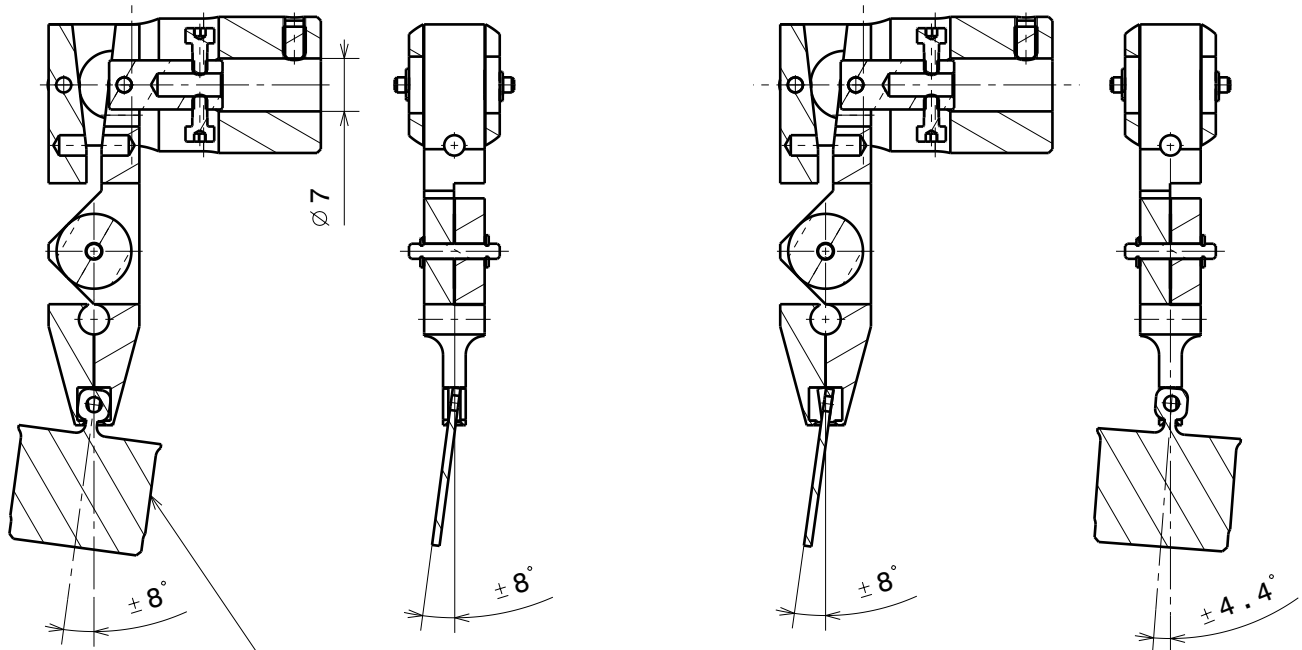
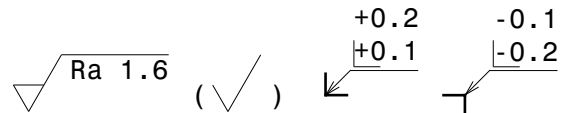


in line grip

orthogonal grip



SHOM sample plate



general tolerances ISO 2768-K

Material: all UHV compatible

Orthogonal pincer grip
for SHOM sample plates

PG

Ferrovac GmbH
CH-8050 Zurich

THE INFORMATION CONTAINED IN THIS
DRAWING IS THE SOLE PROPERTY OF
FERROVAC GMBH. ANY REPRODUCTION
IN PART OR AS WHOLE WITHOUT OUR
PERMISSION IS PROHIBITED.

nominal dimension	over	1	6	30	100	300	1000
	up to	6	30	100	300	1000	2000
tolerance	±	0.05	0.1	0.3	0.5	0.8	1.2

Scale Drawn Denys Sutter

Date 21.02.2011

Checked Name

1:1

PGWMO (OM)