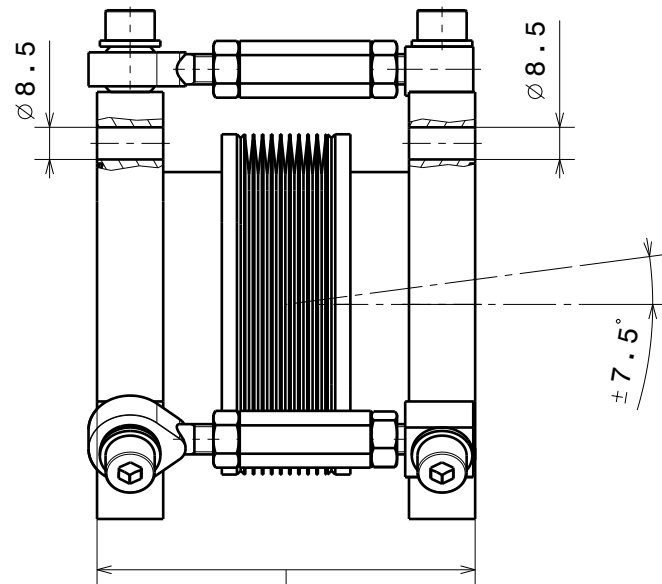
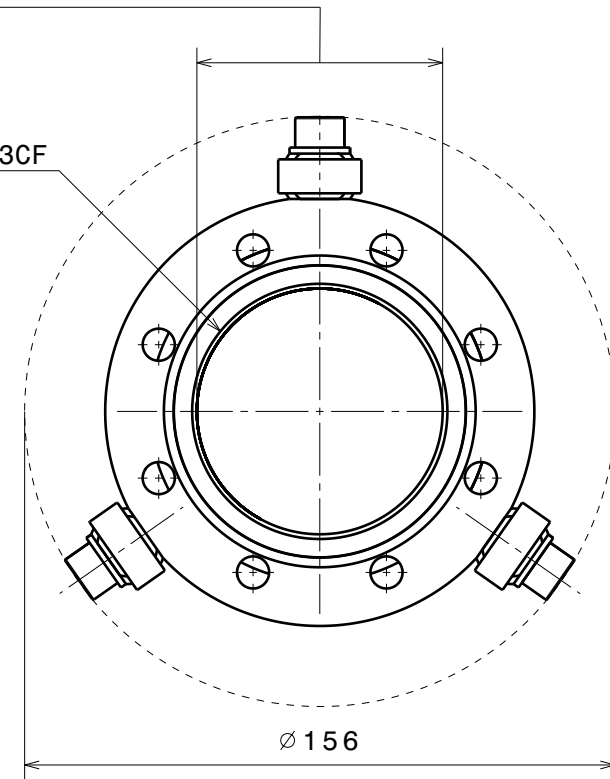


∅ Free Inner Diameter = 65mm

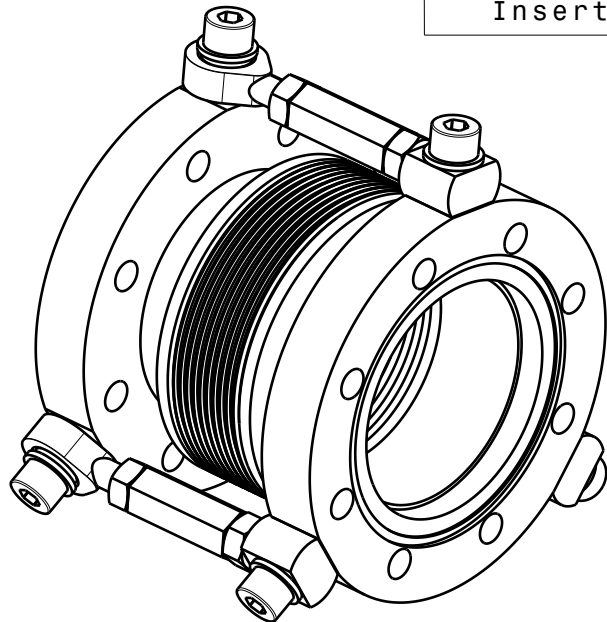


Insertion Length = 100mm +/- 5mm

DN63CF



$\sqrt{\text{Ra } 1.6}$ (✓) \swarrow $\begin{matrix} +0.2 \\ +0.1 \end{matrix}$ \searrow $\begin{matrix} -0.1 \\ -0.2 \end{matrix}$
 general tolerances ISO 2768-K



Material: all UHV compatible	nominal over	1	6	30	100	300	1000
Port Aligner DN63CF	dimension up to	6	30	100	300	1000	2000
	tolerance ±	0.05	0.1	0.3	0.5	0.8	1.2
PA	Scale	Drawn	Denys Sutter				
Ferrovac GmbH CH-8050 Zurich	1:2	Date	15.03.2011				
		Checked	Name				
THE INFORMATION CONTAINED IN THIS DRAWING IS THE SOLE PROPERTY OF FERROVAC GMBH. ANY REPRODUCTION IN PART OR AS WHOLE WITHOUT OUR PERMISSION IS PROHIBITED.		PA63					