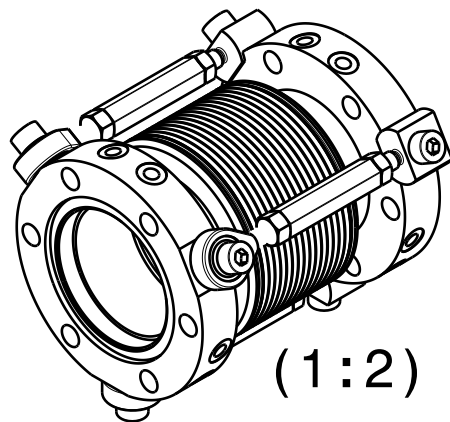
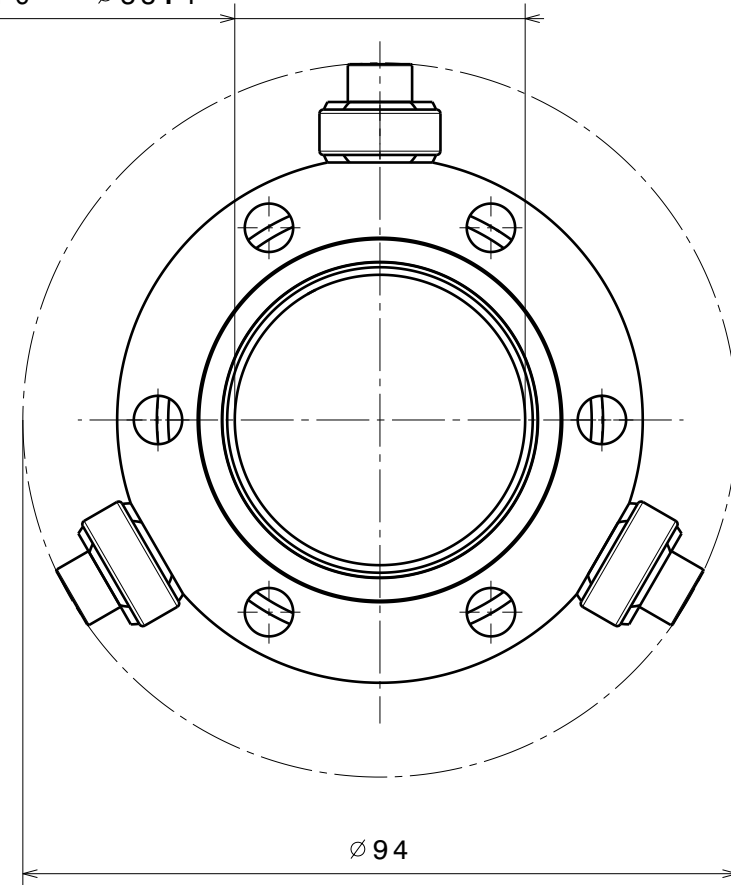


Free bore = $\varnothing 38.4$



Angle deflection: +/- 5°
 Length range: +/- 5mm
 Pressure range: 1E-11mbar to 1000mbar
 max. bakeout temperature: 200°C

Material: 1.4404 (316L)		nominal ≤ 30 mm	DIN ISO 2768-f-H
		dimensions > 30 mm	DIN ISO 2768-m-K excluding Sym./Runout
Port Aligner DN40CF		Sym./Runout > 30 mm	DIN ISO 2768-H
PA		formed part dimensions	DIN ISO 2768-f-H
		Scale	Drawn M. Müller
		1:1	Date 28.10.2021
		(1:2)	Changed
Ferrovac CH-8050 Zurich		THE INFORMATION CONTAINED IN THIS DRAWING IS THE SOLE PROPERTY OF FERROVAC. ANY REPRODUCTION IN PART OR AS WHOLE WITHOUT OUR PERMISSION IS PROHIBITED.	
Rev.	A	PA40 A4 sheet 1/1	