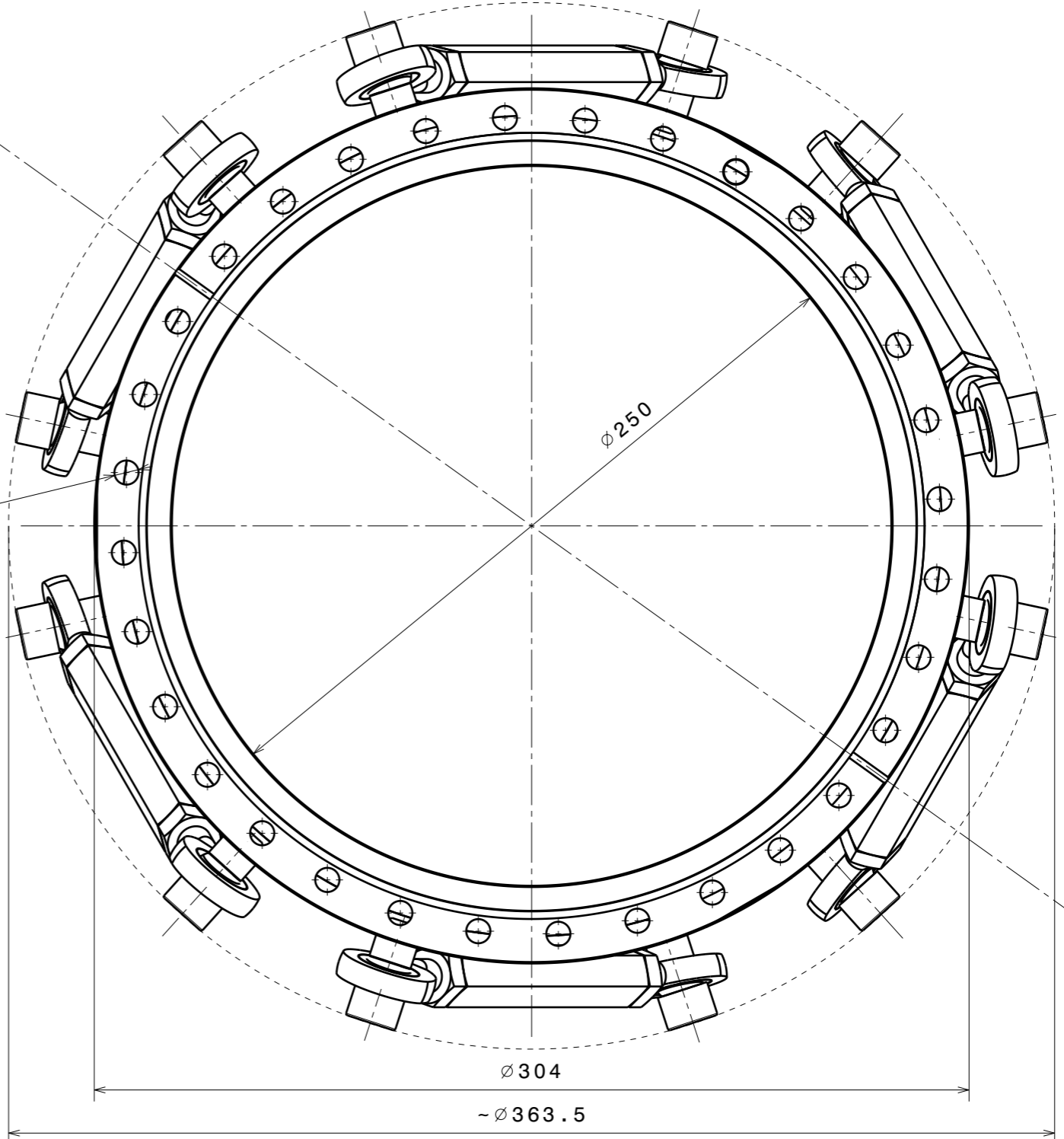


instalation length = 220 ± 10

M12 (3x)

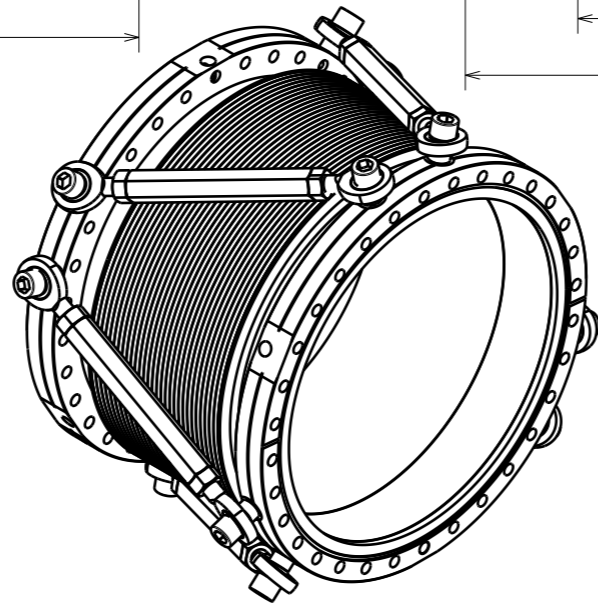
(32x) Ø 8.4



Ø 250

Ø 304

~ Ø 363.5



∇ Ra 0.8 (✓) \swarrow $\begin{matrix} +0.2 \\ +0.1 \end{matrix}$ \searrow $\begin{matrix} -0.1 \\ -0.2 \end{matrix}$

flange 1: DN250CF (12" OD), through holes
 flange 2: DN250CF (12" OD), through holes
 insertion length: 220mm
 lateral range: +/-10mm
 angular range: +/-5deg
 free bore: 250mm
 pressure range 1E-11mbar to 1000mbar
 fully UHV compatible materials
 max. bakeout temperature 200°C

Material: all UHV comaible

Hexapod Port Aligner DN250CF for angular and lateral displacement

PA250HEX

Ferrovac
CH-8050 Zurich

THE INFORMATION CONTAINED IN THIS DRAWING IS THE SOLE PROPERTY OF FERROVAC. ANY REPRODUCTION IN PART OR AS WHOLE WITHOUT OUR PERMISSION IS PROHIBITED.

nominal dimensions <30mm	DIN ISO 2768-f-H	
nominal dimensions >30mm	DIN ISO 2768-m-K excluding Sym./Runout	
Sym./Runout >30mm	DIN ISO 2768-H	
formed part dimensions	DIN ISO 2768-f-H	
Scale	Drawn	C.Weiss
1:2 (1:5)	Date	23.12.2021
	Changed
Rev.	A	PA250HEX A3 sheet 1/1