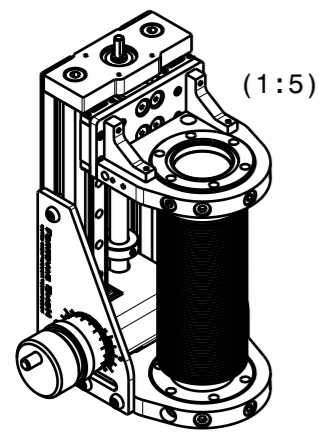


$\sqrt{Ra\ 0.8}$ (✓)
 $\swarrow \begin{matrix} +0.2 \\ +0.1 \end{matrix}$
 $\searrow \begin{matrix} -0.1 \\ -0.2 \end{matrix}$



Material:	nominal $\leq 30\text{mm}$	DIN ISO 2768-f-H
	dimensions $> 30\text{mm}$	DIN ISO 2768-m-K excluding Sym./Runout
	Sym./Runout $> 30\text{mm}$	DIN ISO 2768-H
MZ40CF40CF40-0100	formed part dimensions	DIN ISO 2768-f-H
MZ40	Scale	Drawn C.Weiss
	1:2	Date 12.06.2018
	(1:5)	Changed
Ferrovac GmbH	Rev. A	MZ40CF40CF40-0100
CH-8050 Zurich		A3 sheet 1/1

THE INFORMATION CONTAINED IN THIS DRAWING IS THE SOLE PROPERTY OF FERROVAC GMBH. ANY REPRODUCTION IN PART OR AS WHOLE WITHOUT OUR PERMISSION IS PROHIBITED.