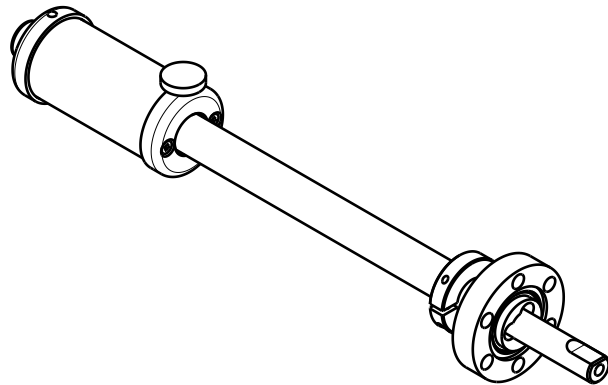
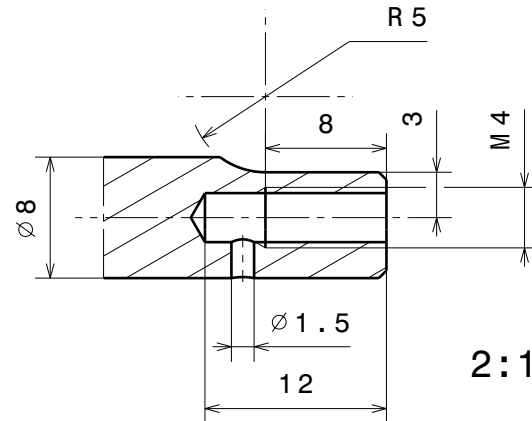
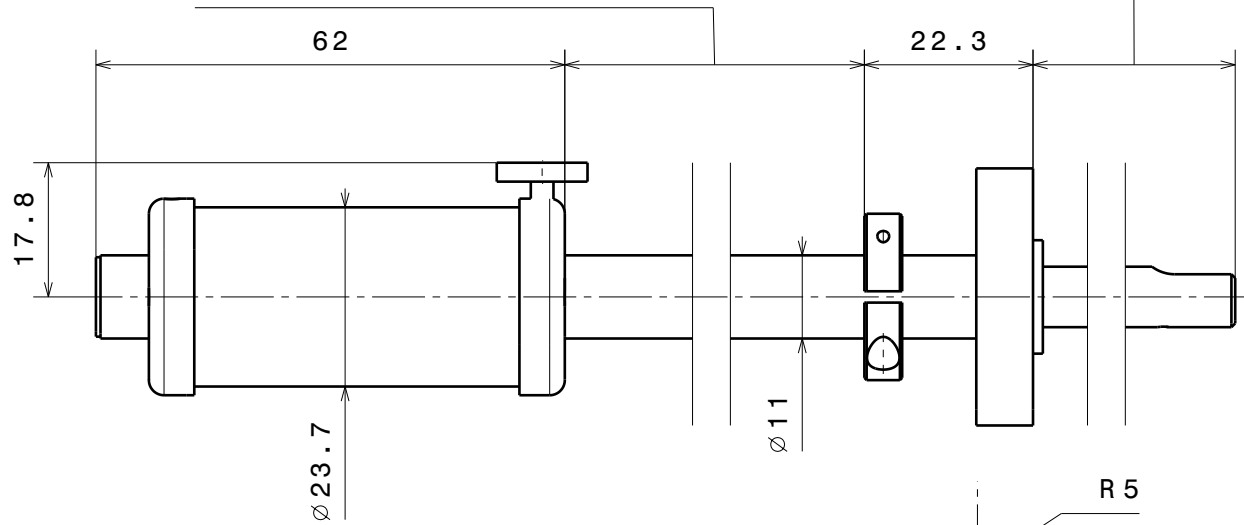
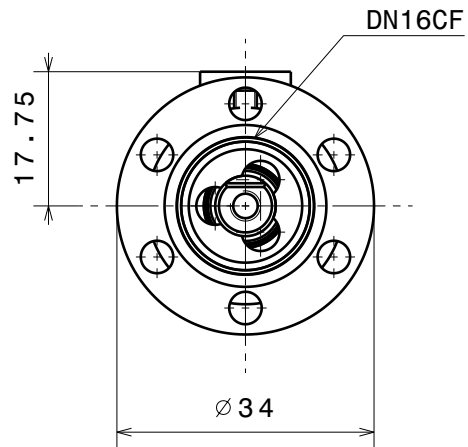


retracted shaft length YYYY in mm

linear travel XXXX in mm



$\sqrt{\text{Ra 1.6}}$ (✓) \swarrow $\begin{matrix} +0.2 \\ +0.1 \end{matrix}$ \searrow $\begin{matrix} -0.1 \\ -0.2 \end{matrix}$
 general tolerances ISO 2768-K

Order code:
 MD16-XXXX-YYYY
 e.g. MD16-0200-0030

Material: fully UHV compatible materials	nominal	min.	1	6	30	100	300	1000
Linear Rotary Feedthrough DN16CF	dimension	max.	6	30	100	300	1000	2000
	tolerance	±	0.05	0.1	0.3	0.5	0.8	1.2
MD	Scale	Drawn	Denys Sutter					
	1:1 (2:1)	Date	07.02.2011					
		Revised	17.09.2012DS					
Ferrovac GmbH CH-8050 Zurich	THE INFORMATION CONTAINED IN THIS DRAWING IS THE SOLE PROPERTY OF FERROVAC GMBH. ANY REPRODUCTION IN PART OR AS WHOLE WITHOUT OUR PERMISSION IS PROHIBITED.	Rev. B	MD16					