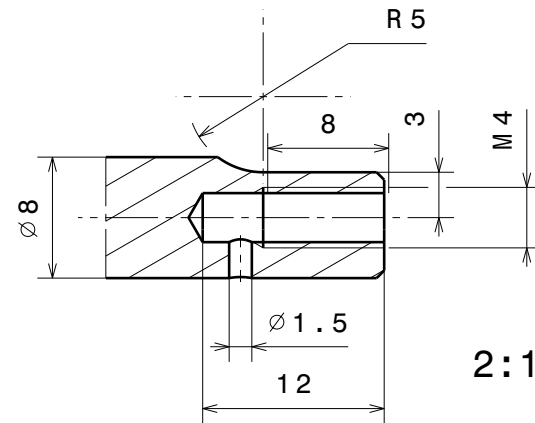
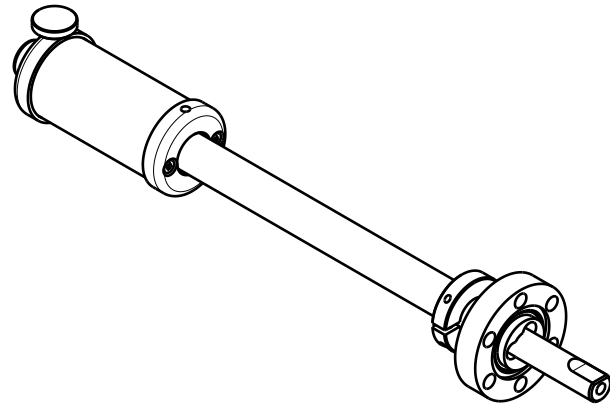
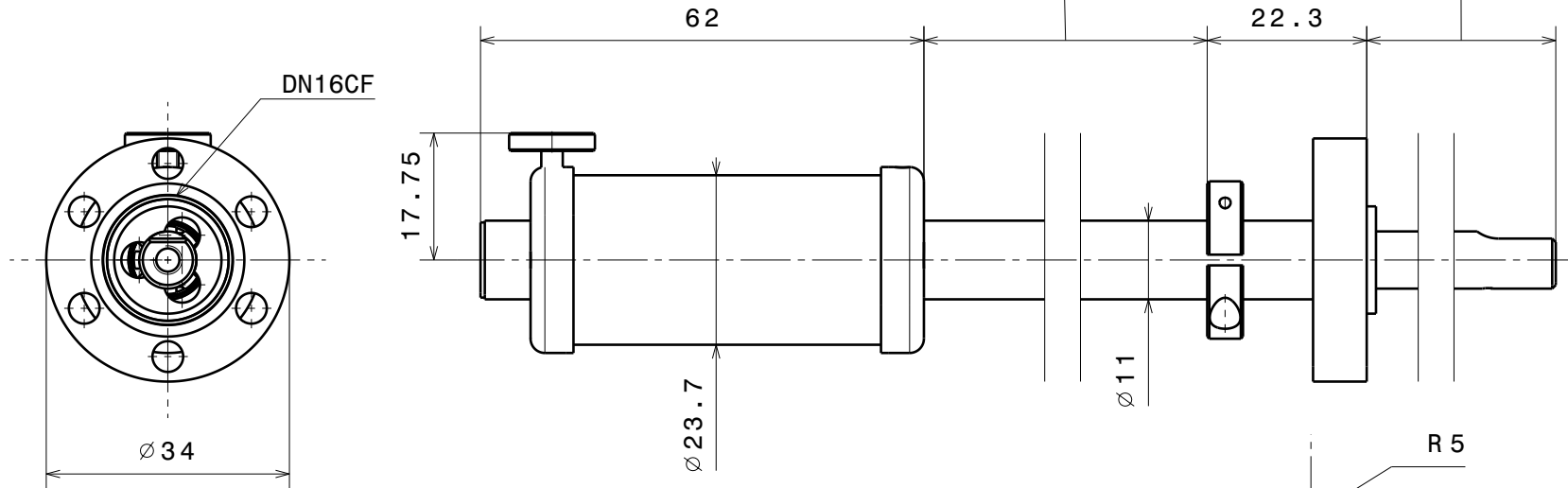


retracted shaft length YYYY in mm

linear travel XXXX in mm



2:1

Ra 1.6

(✓)

+0.2  
+0.1

-0.1  
-0.2

general tolerances ISO 2768-K

Order code:  
MD16-XXXX-YYYY  
e.g. MD16-0200-0030

Material: fully UHV compatible materials	nominal	min.	1	6	30	100	300	1000
Linear Rotary Feedthrough DN16CF	dimension max.		6	30	100	300	1000	2000
	tolerance ±		0.05	0.1	0.3	0.5	0.8	1.2
MD	Scale	Drawn	Denys Sutter					
	1:1 (2:1)	Date	07.02.2011					
		Revised	02.11.16 JB					
<b>Ferrovac GmbH</b> CH-8050 Zurich	THE INFORMATION CONTAINED IN THIS DRAWING IS THE SOLE PROPERTY OF FERROVAC GMBH. ANY REPRODUCTION IN PART OR AS WHOLE WITHOUT OUR PERMISSION IS PROHIBITED.	Rev. C	MD16					