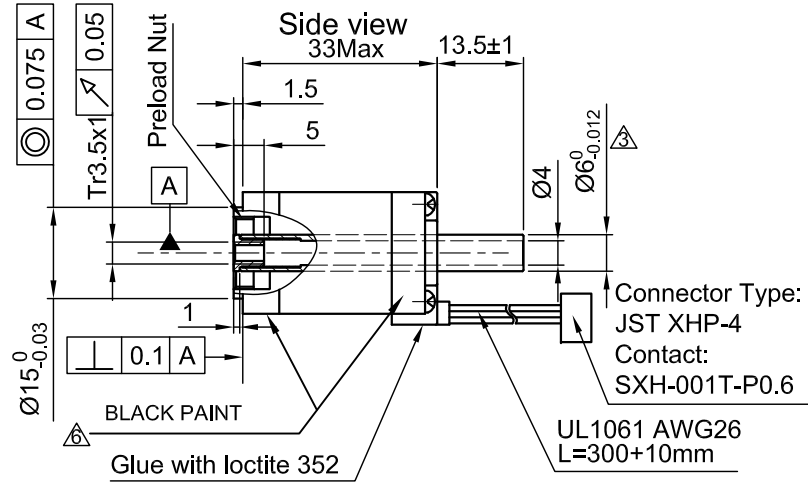
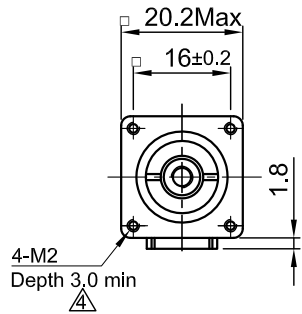
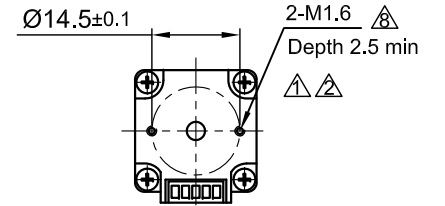


Front view and mounting



Rear view



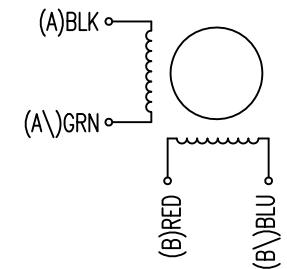
SPECIFICATION	
AMPS/PHASE	0.6
RESISTANCE/PHASE (Ohms)@25°C	6.5±15%
INDUCTANCE/PHASE (mH) @1KHz	2±20% Δ
SPINDLE PITCH (mm) [in]	1 [0.039]
THRUST (N) (lb)	30 [6.74] Δ
PEAK THRUST (N) [lb]	40[8.99] Δ
PEAK CURRENT (A)	0.8 Δ
RESOLUTION (mm/STEP)	0.005
STATIC THRUST (NO CURRENT)	>30[6.74] Δ
MAX. SPEED (mm/sec.) at 48V	40 Δ
MAX. SPEED WITH MAX. THRUST (mm/sec.)	1 Δ
WEIGHT (Kg) [lb]	0.06 [0.13]
TEMPERATURE RISE: MAX.80°C (MOTOR STANDSTILL; FOR 2 PHASE ENERGIZED)	
AMBIENT TEMPERATURE -10°~ 50°C [14°F ~ 122°F]	
INSULATION RESISTANCE 100 MOhm (UNDER NORMAL TEMPERATURE AND HUMIDITY)	
INSULATION CLASS B 130° [266°F]	
DIELECTRIC STRENGTH 500VAC FOR 1 MIN. (BETWEEN THE MOTOR COILS AND THE MOTOR CASE)	
AMBIENT HUMIDITY MAX. 85% (NO CONDENSATION)	

Please regard the application note at www.nanotec.com for further informations.

Shaft play is adjustable at the motor.

PIN NO	TYPE OF CONNECTION (EXTERN)		MOTOR	
	BIPOLAR	LEADS	WINDING	
1	A —	BLK	A	
2	A\ —	GRN	A\<	
3	B —	RED	B	
4	B\ —	BLU	B\<	

WIRING DIAGRAM



FULL STEP 2 PHASE-Ex., WHEN FACING MOUNTING END (X)

STEP	A	B	A\<	B\<	CCW	CW
1	+	+	-	-	↓	↑
2	-	+	+	-	↓	↑
3	-	-	+	+	↓	↑
4	+	-	-	+	↓	↑

REV	DESCRIPTION	DATE	APVD
08	New screw hole	23.01.17	B.L.
07	Change the data	30.07.14	B.L.
06	BLACK PAINT	25.07.14	B.L.



L2018S0604-T3,5x1

SCALE	APVD	DATE
FREE	G.S.	08.07.10
X ±0.5	CHKD ZYL	08.07.10
1PL ±0.2	DRN GYQ	08.07.10
2PL ±0.1	SIGNATURE	DATE
ANGLE ±30'		

LINEAR AKTUATOR

DWG.NO

L2018S0604-T3,5x1