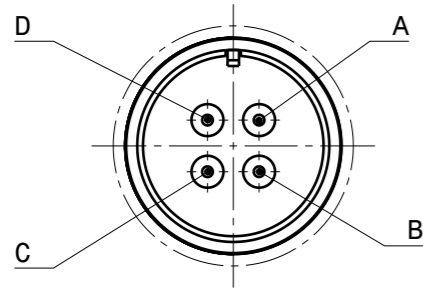


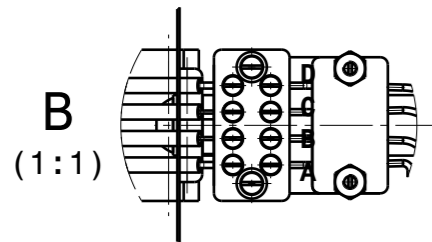
Pinout



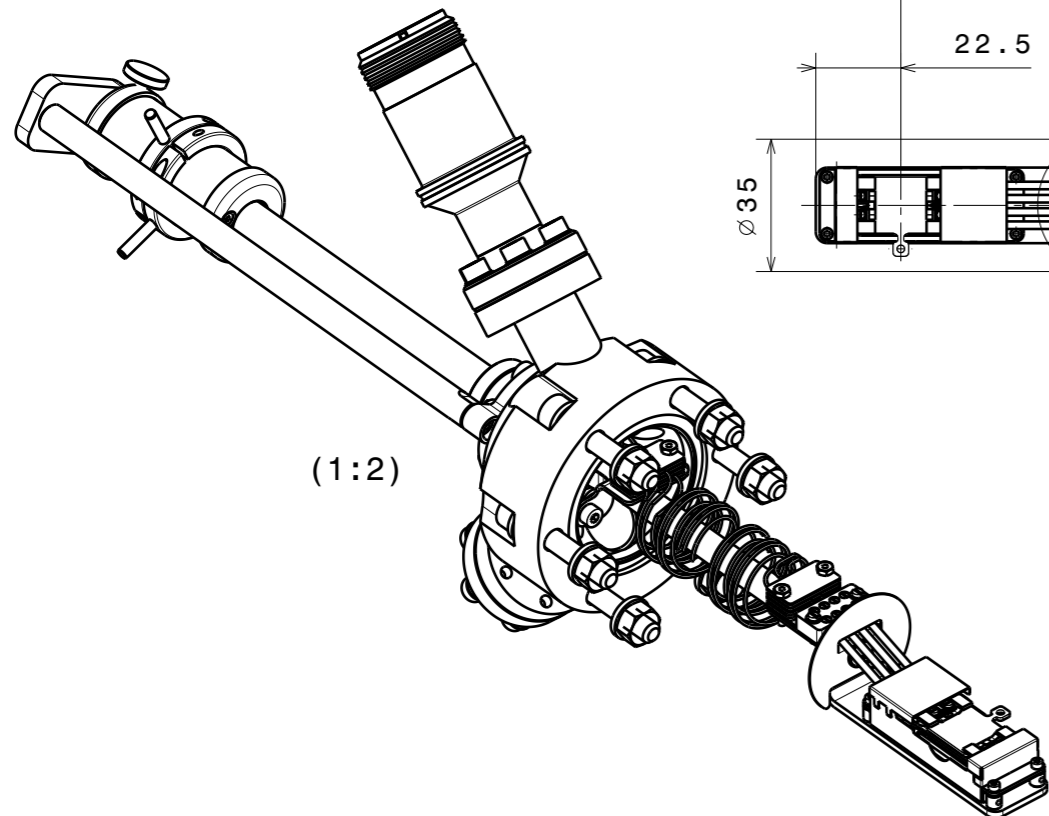
(view from air side)

Terminal	Function
A	heater -
B	TC - (Ni-Al)
C	TC + (Ni-Cr)
D	heater +

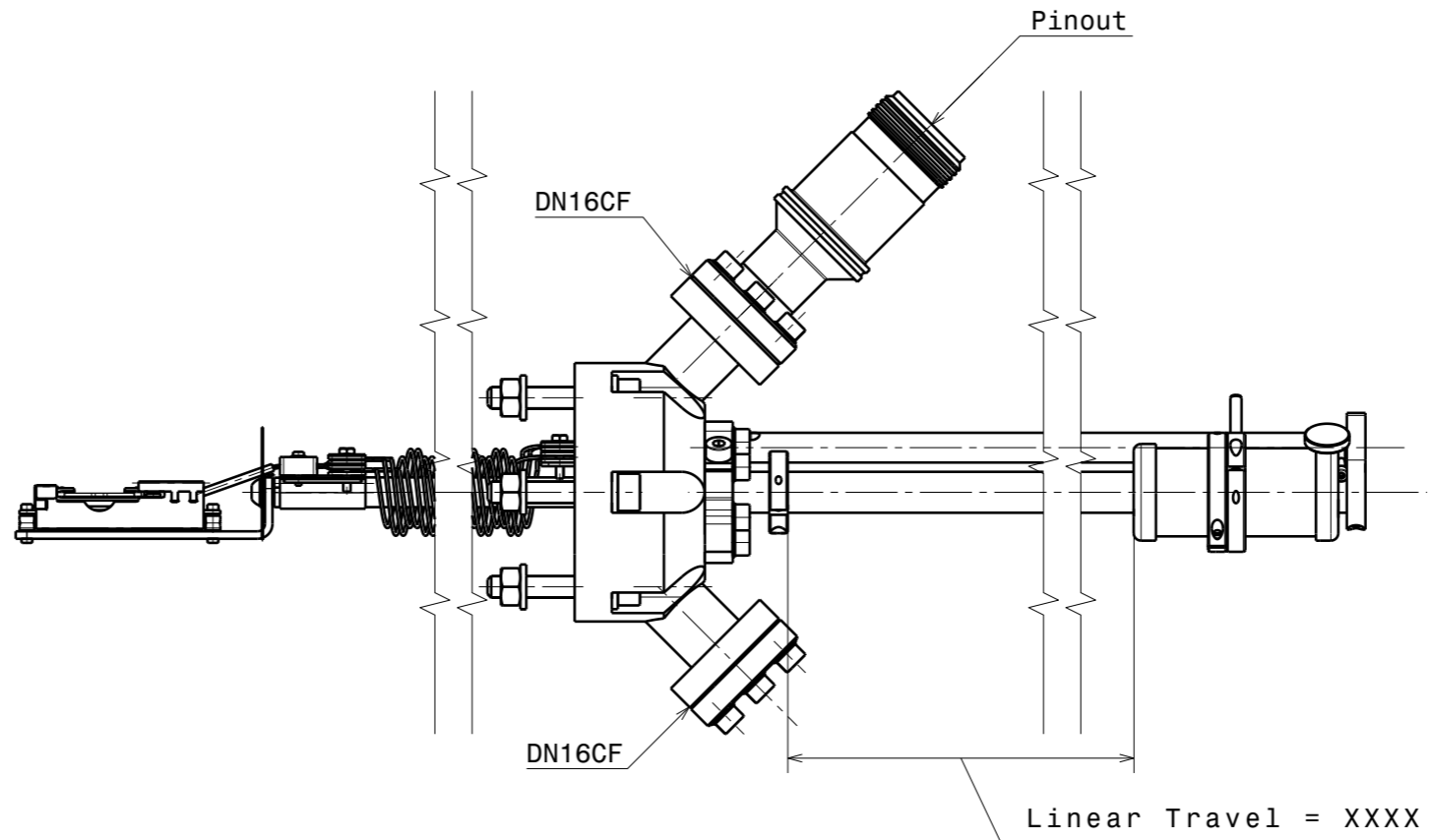
in vacuum luster terminal



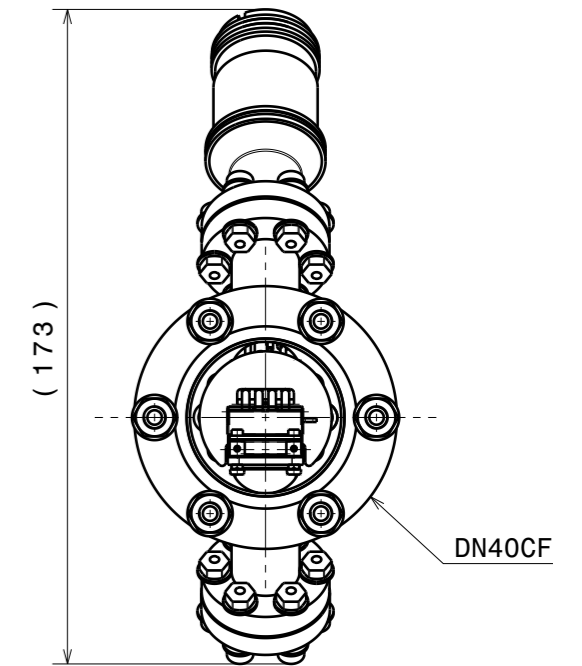
B
(1:1)



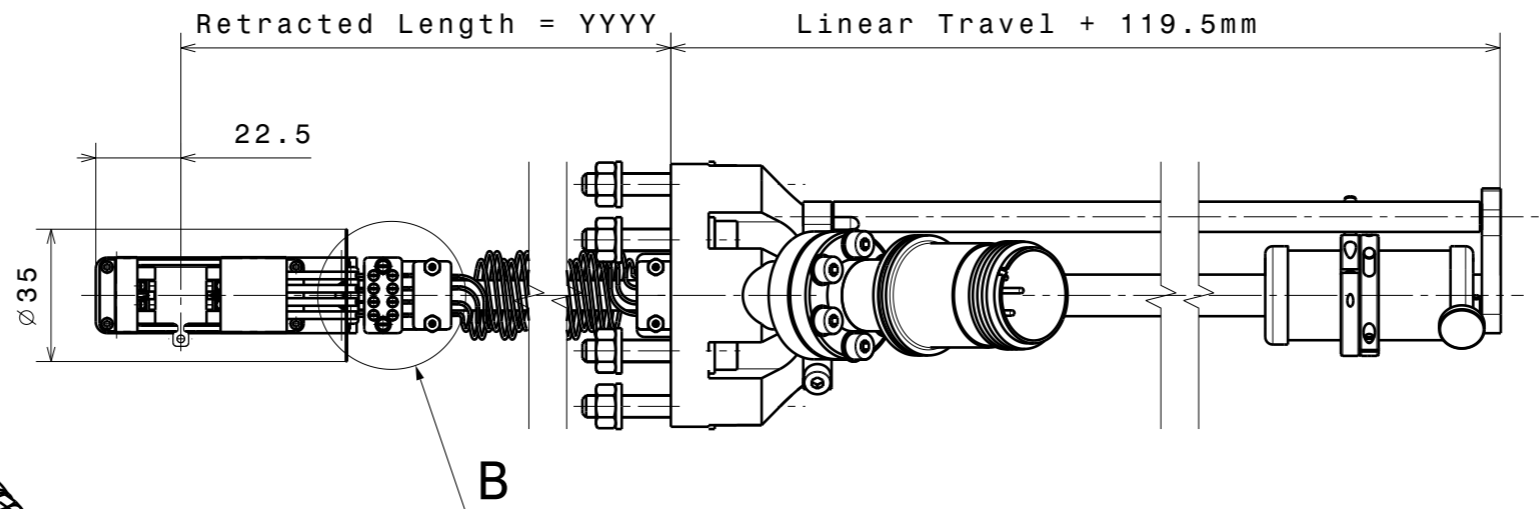
(1:2)



Linear Travel = XXXX



(173)



(sample plate not incl.)

$\sqrt{Ra\ 0.8}$ (✓) $\begin{matrix} +0.2 \\ +0.1 \end{matrix}$ $\begin{matrix} -0.1 \\ -0.2 \end{matrix}$

Material:	nominal $\leq 30\text{mm}$	DIN ISO 2768-f-H
	dimensions $> 30\text{mm}$	DIN ISO 2768-m-K excluding Sym./Runout
	Sym./Runout $> 30\text{mm}$	DIN ISO 2768-H
PBN Heating Station for Flag Style Plates with Linear Travel	formed part dimensions	DIN ISO 2768-f-H
	Scale	Drawn J. Buechi
	1:2	Date 19.11.2020
	(1:1)	Changed 19.06.2023 JB
Ferrovac CH-8050 Zurich	THE INFORMATION CONTAINED IN THIS DRAWING IS THE SOLE PROPERTY OF FERROVAC. ANY REPRODUCTION IN PART OR AS WHOLE WITHOUT OUR PERMISSION IS PROHIBITED.	HSASOM40 (PBNMD)
Rev. C		A3 sheet 1/1