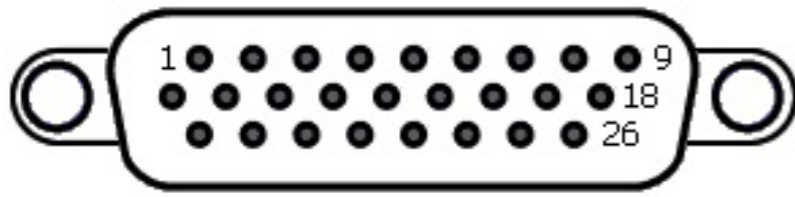
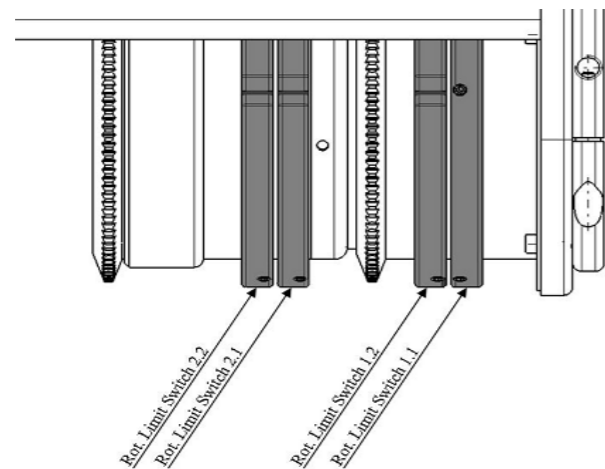


(1:5)

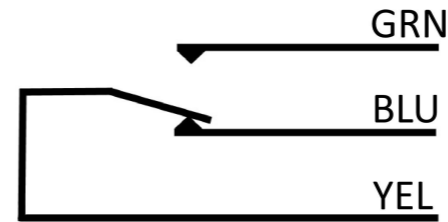
Material:	nominal dimension	over up to	1	6	30	100	300	1000
			6	30	100	300	1000	2000
	tolerance	±	0.05	0.1	0.3	0.5	0.8	1.2
Motorized Linear and double Rotary Drive RMD DRVRMOTLRR	Scale	Drawn	Claudio Weiss					
		Date	12.01.2015					
		Changed	09.02.2016 CW					
Ferrovac GmbH CH-8050 Zurich	1:2 (1:5)	DRVRMOTLRR - XXXX						
THE INFORMATION CONTAINED IN THIS DRAWING IS THE SOLE PROPERTY OF FERROVAC GMBH. ANY REPRODUCTION IN PART OR AS WHOLE WITHOUT OUR PERMISSION IS PROHIBITED.	Rev. B	A3 sheet 1/3						



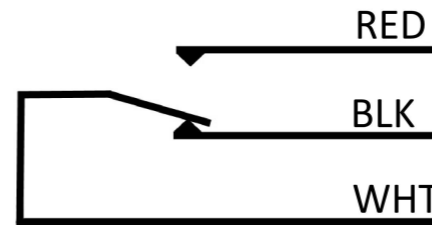
D-Sub Pin	Function	
1	Linear Motor	(A) BLK
2	Linear Motor	BLK/WHT
3	Linear Motor	BLU/WHT
4	Rotary Motor 1	(A) BLK
5	Rotary Motor 2	(A) BLK
6	Rot. Endswitch 1.2	BLK
7	Rot. Endswitch 1.1	BLU
8	Endswitch (Back)	1
9	Reed Endswitch (Front)	Blue
10	Linear Motor	(A\) GRN
11	Linear Motor	GRN/WHT
12	Linear Motor	(B\) BLU
13	Rotary Motor 1	(A\) GRN
14	Rotary Motor 2	(A\) GRN
15	Rotary Motor 2	(B) RED
16	Rot. Endswitch 1.1 & 1.2	YEL & WHT
17	Endswitch (Back)	2
18	Reed Endswitch (Front)	White
19	Linear Motor	(B) RED
20	Linear Motor	RED/WHT
21	Rotary Motor 1	(B) RED
22	Rotary Motor 1	(B\) BLU
23	Rotary Motor 2	(B\) BLU
24	Rot. Endswitch 2.1	BLU
25	Rot. Endswitch 2.1 & 2.2	WHT & YEL
26	Rot. Endswitch 2.2	BLK



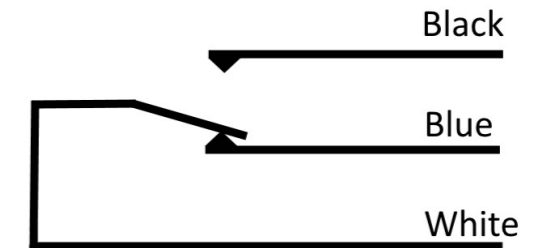
Rot. Endswitch 1.1 & 2.1



Rot. Endswitch 1.2 & 2.2



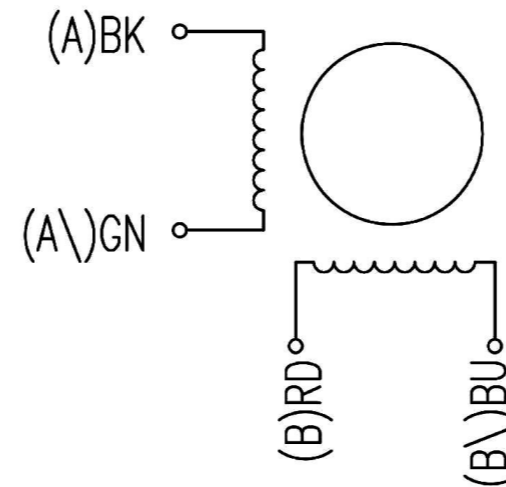
Reed Endswitch (Front)



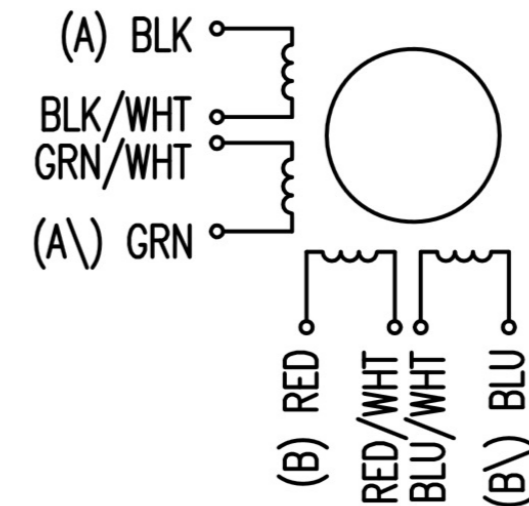
Endswitch (Back)



Rotary Motors Schematic



Linear Motor Schematic



Material:	nominal dimension	over up to	1	6	30	100	300	1000
			6	30	100	300	1000	2000
	tolerance	±	0.05	0.1	0.3	0.5	0.8	1.2
Motorized Linear and duple Rotary Drive RMD	Scale	Drawn	Claudio Weiss					
DRVRMOTLRR		Date	12.11.2015					
	1:2	Changed					
Ferrovac GmbH CH-8050 Zurich	THE INFORMATION CONTAINED IN THIS DRAWING IS THE SOLE PROPERTY OF FERROVAC GMBH. ANY REPRODUCTION IN PART OR AS WHOLE WITHOUT OUR PERMISSION IS PROHIBITED.	Rev.	A					
			DRVRMOTLRR - XXXX					
			A3 sheet 2/3					