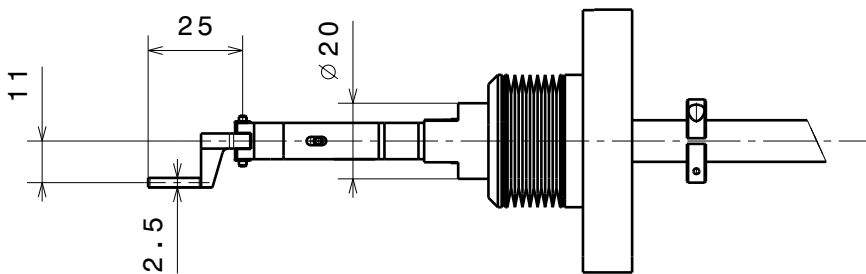
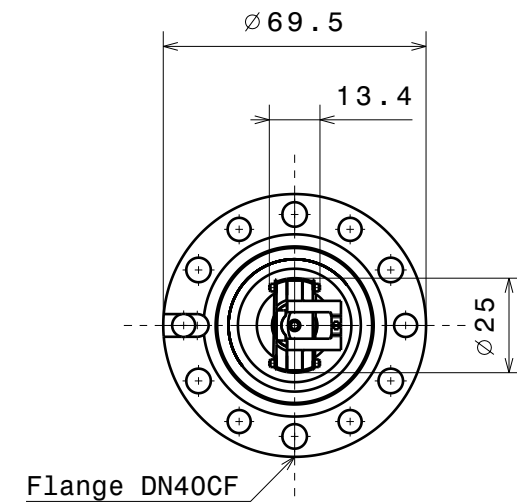
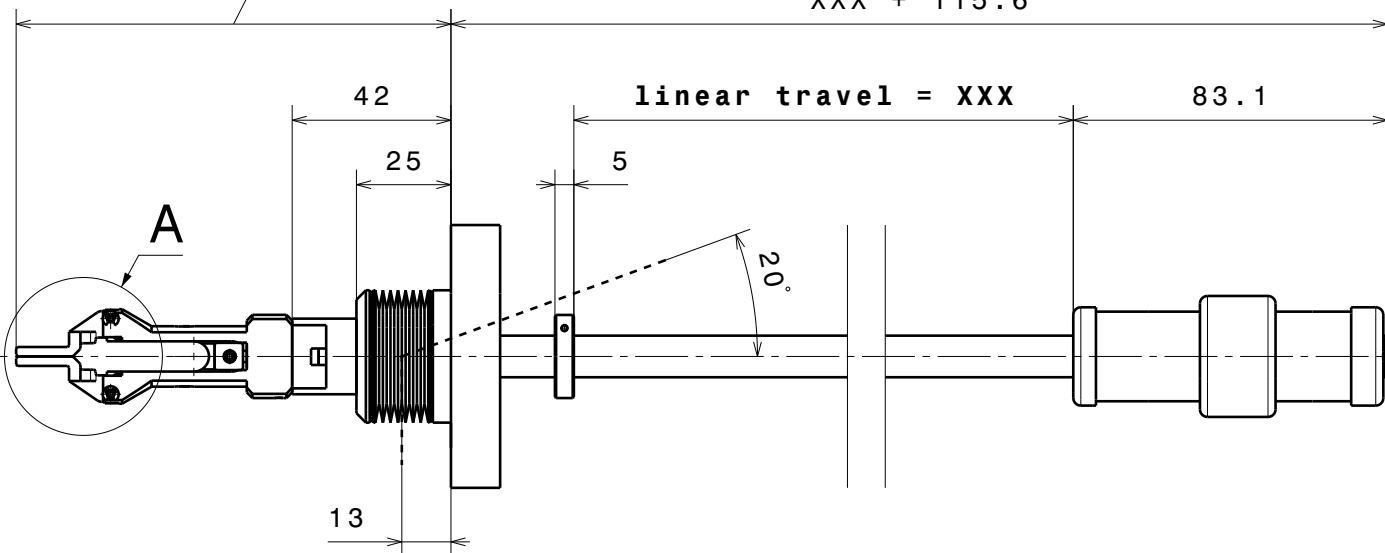


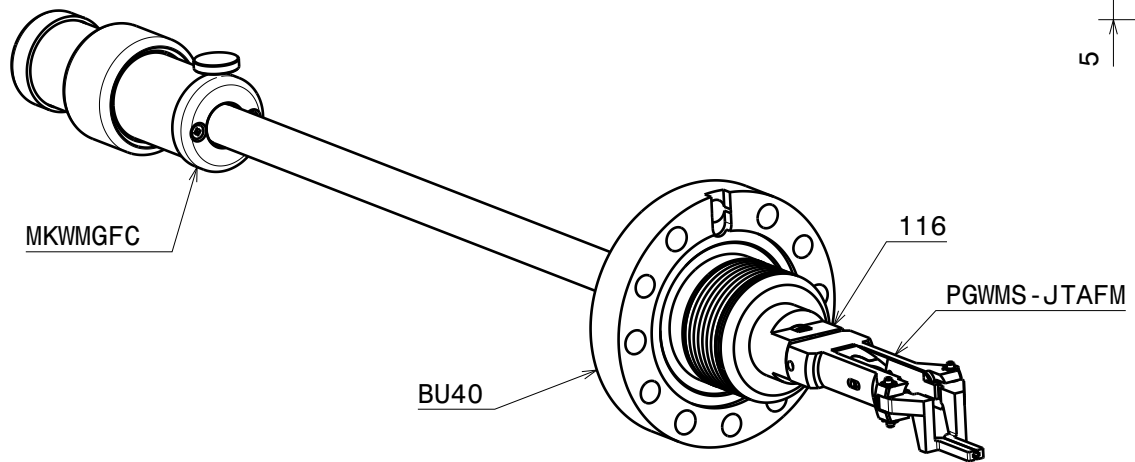
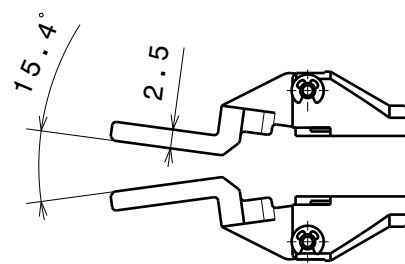
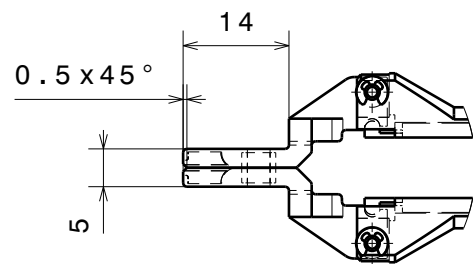
retracted length = YYY (min. 115)

XXX + 115.6

linear travel = XXX



Detail A  
Maßstab: 1:1



$\nabla$  Ra 0.8 (✓)  $\nabla$   $\begin{matrix} +0.2 \\ +0.1 \\ -0.2 \end{matrix}$

Material: all materials fully UHV compatible	nominal $\leq 30$ mm	DIN ISO 2768-f-H
	dimensions $> 30$ mm	DIN ISO 2768-m-K excluding Sym./Runout
WMG40 (FC) - PGWMS-JTAFM-3-A001	Sym./Runout $> 30$ mm	DIN ISO 2768-H
	formed part dimensions	DIN ISO 2768-f-H
WMG	Scale	Drawn J. Buechi
		Date 07.03.2018
Ferrovac GmbH CH-8050 Zurich	1:2	Changed .....
	(1:1)	WMG40 (FC) - PGWMS-JTAFM-3-A001
Rev.	A	A4 sheet 1/1

THE INFORMATION CONTAINED IN THIS DRAWING IS THE SOLE PROPERTY OF FERROVAC GMBH. ANY REPRODUCTION IN PART OR AS WHOLE WITHOUT OUR PERMISSION IS PROHIBITED.