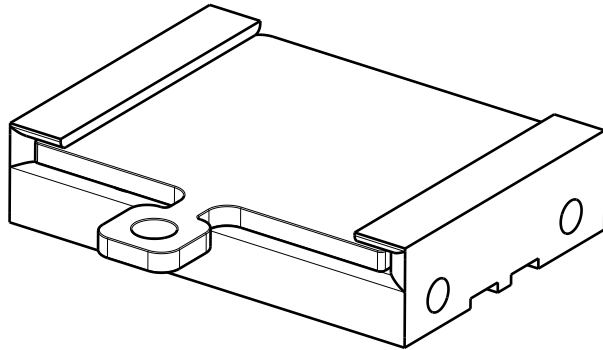


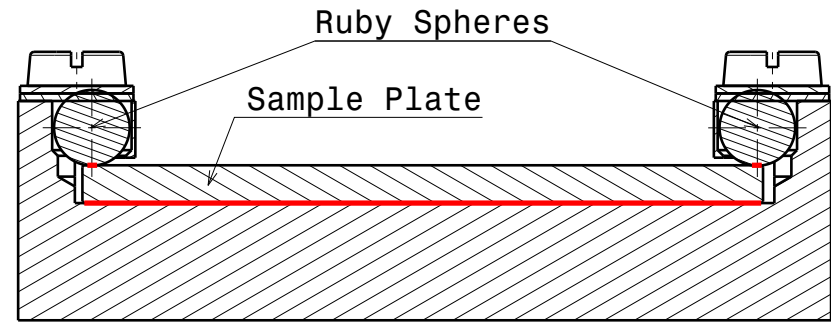
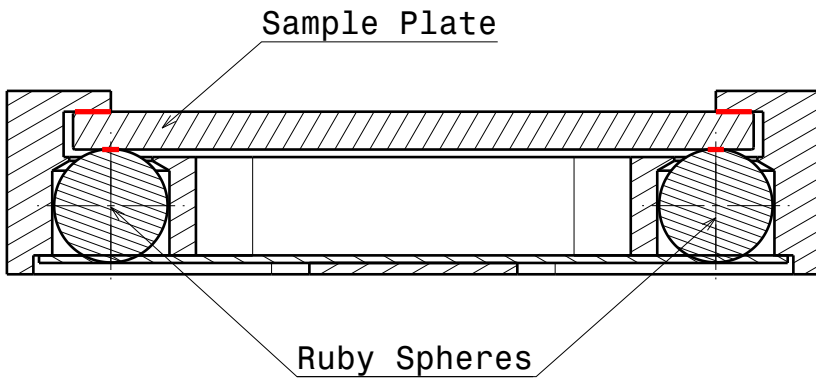
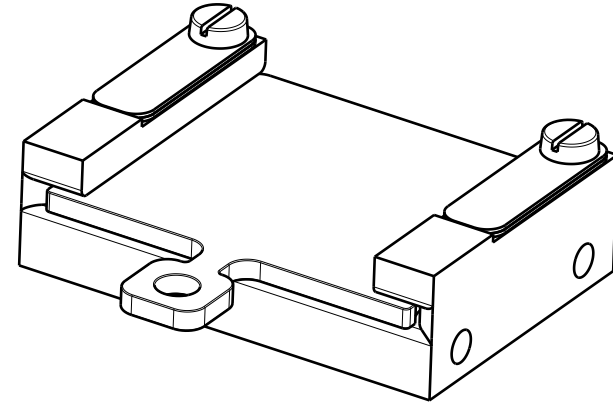
Thermal Interface Area

RECOM



VS.

RECOMLT



 Surface Of Contact