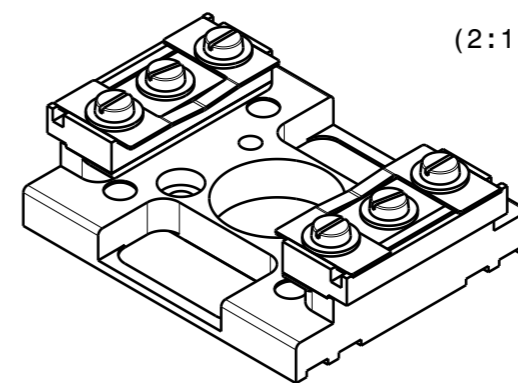
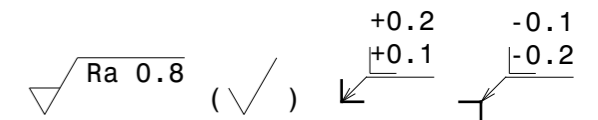
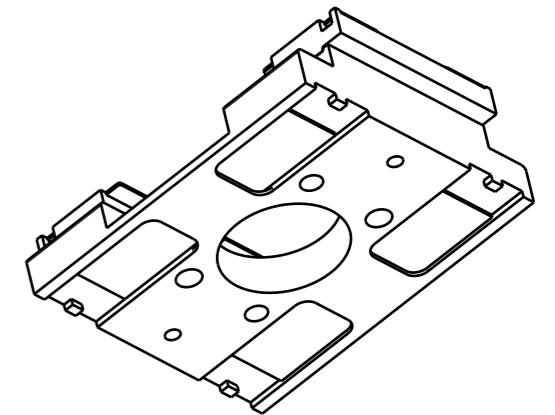


(2:1)
With a SHOMDC Sample Plate
for Direct Current Heating



(2:1)



Material: all UHV compatible		nominal $\leq 30\text{mm}$	DIN ISO 2768-f-H
		dimensions $> 30\text{mm}$	DIN ISO 2768-m-K excluding Sym./Runout
		Sym./Runout $> 30\text{mm}$	DIN ISO 2768-H
Receiver for DC-Heating with a Central Opening for Optical Access from the Rear		formed part dimensions	DIN ISO 2768-f-H
Scale	Drawn	J. Buechi	
5:1 (2:1)	Date	31.07.2019	
	Changed	
Ferrovac GmbH CH-8050 Zurich		RECOMDCRA	
Rev.	A	A3 sheet 1/1	

THE INFORMATION CONTAINED IN THIS DRAWING IS THE SOLE PROPERTY OF FERROVAC GMBH. ANY REPRODUCTION IN PART OR AS WHOLE WITHOUT OUR PERMISSION IS PROHIBITED.