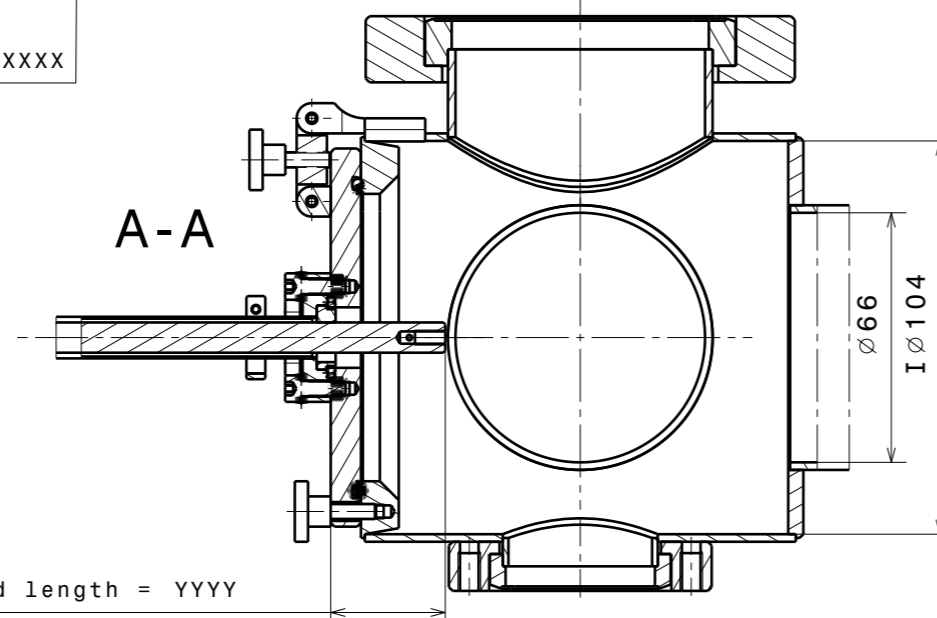
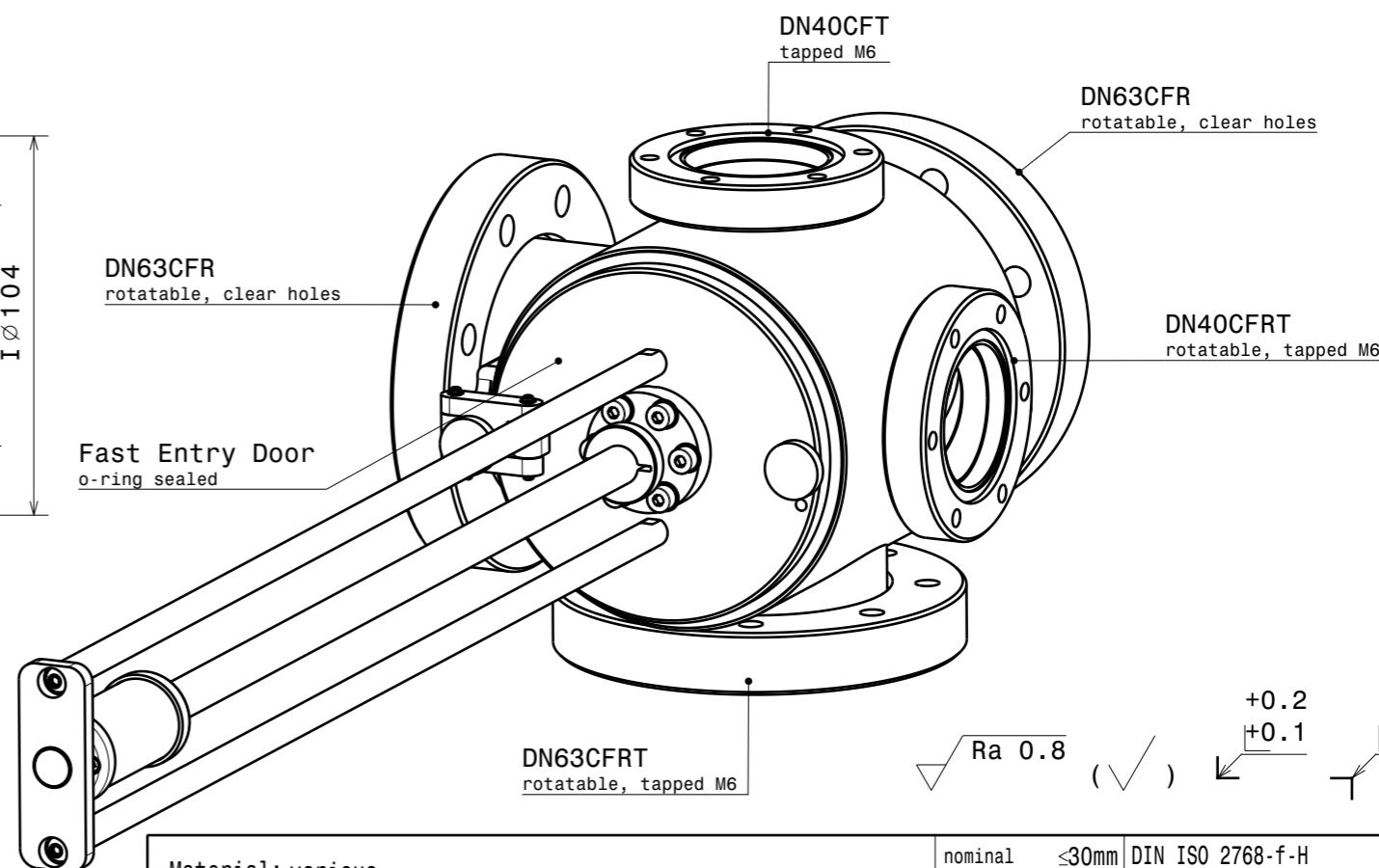
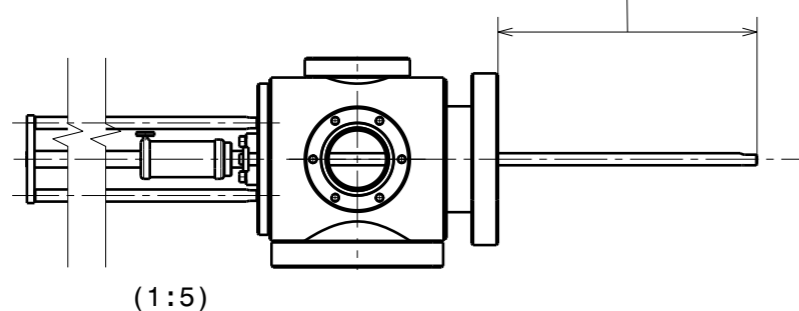


linear travel = XXXX



retracted length = YYYY

max extended length = XXXX+YYYY-159



Ra 0.8 (✓) $\begin{matrix} +0.2 \\ +0.1 \end{matrix}$ $\begin{matrix} -0.1 \\ -0.2 \end{matrix}$

Material: various	nominal $\leq 30\text{mm}$	DIN ISO 2768-f-H
	dimensions $> 30\text{mm}$	DIN ISO 2768-m-K excluding Sym./Runout
	Sym./Runout $> 30\text{mm}$	DIN ISO 2768-H
Fast Entry Load Lock with Linear/Rotary Feedthrough	formed part dimensions	DIN ISO 2768-f-H
KS63-MD16-TSMD	Scale	Drawn B. Moser
		Date 25.08.2003
		Changed 20.09.2023 CW
Ferrovac CH-8050 Zurich	1:2 (1:5)	KS63-MD16-TSMD
THE INFORMATION CONTAINED IN THIS DRAWING IS THE SOLE PROPERTY OF FERROVAC. ANY REPRODUCTION IN PART OR AS WHOLE WITHOUT OUR PERMISSION IS PROHIBITED.	Rev. C	A3 sheet 1/1