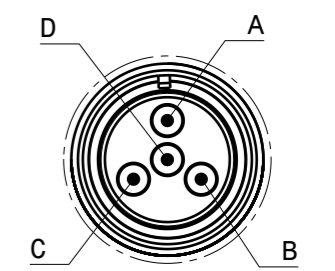
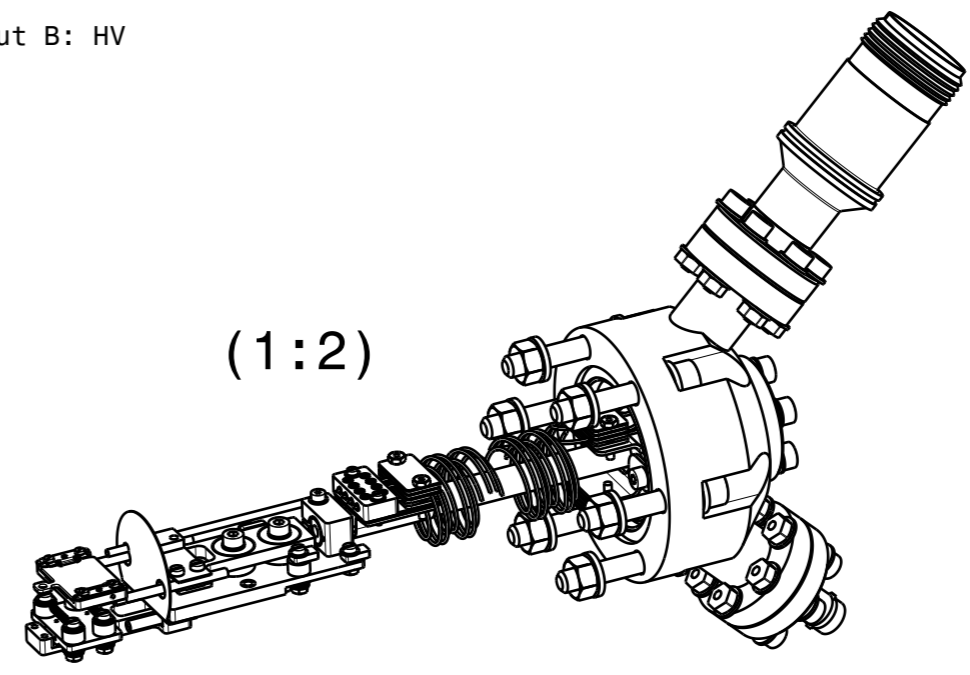


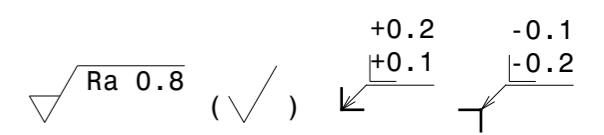
Pinout A



Terminal	Function
A	heater - (GND)
B	if incl.: TC - (Ni-Al)
C	if incl.: TC + (Ni-Cr)
D	heater +



(sample plate not incl.)



Material:		nominal <30mm	DIN ISO 2768-f-H
		dimensions >30mm	DIN ISO 2768-m-K excluding Sym./Runout
		Sym./Runout >30mm	DIN ISO 2768-H
EB Heating Station for Flag Style Plates		formed part dimensions	DIN ISO 2768-f-H
Scale	1:2	Drawn	J.Buechi
		Date	06.05.2021
		Changed	05.03.2024 CW
		HSASOM40 (EB)	
Rev.	E	A3 sheet 1/1	

Ferrovac
CH-8050 Zurich

THE INFORMATION CONTAINED IN THIS DRAWING IS THE SOLE PROPERTY OF FERROVAC. ANY REPRODUCTION IN PART OR AS WHOLE WITHOUT OUR PERMISSION IS PROHIBITED.