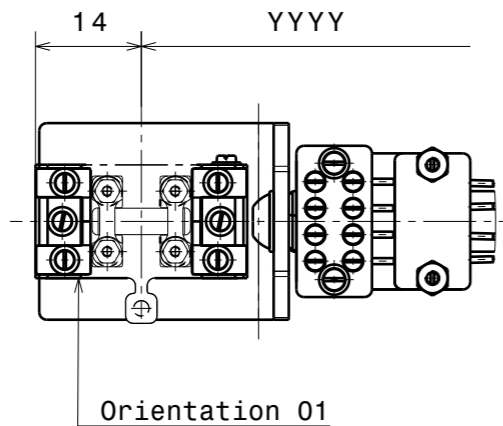
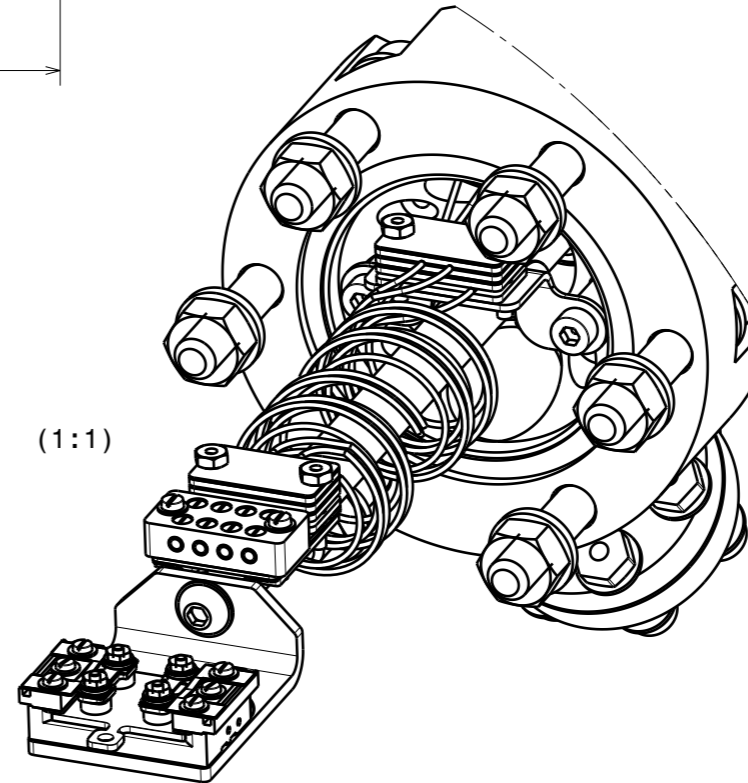
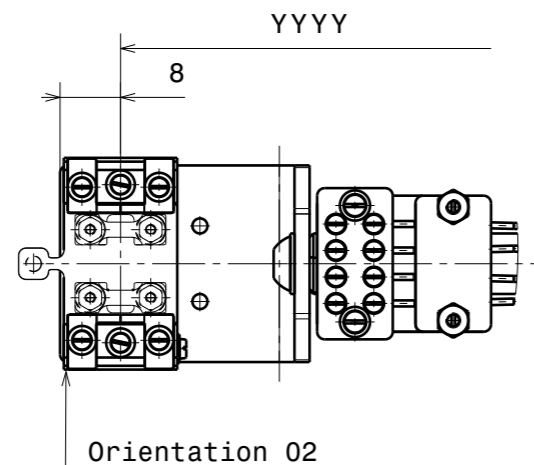


Terminal	Function
A	heater
B	if incl.: TC - (Ni-Al)
C	if incl.: TC + (Ni-Cr)
D	heater



(1:1)



Ra 0.8 (✓) $\begin{matrix} +0.2 \\ +0.1 \end{matrix}$ $\begin{matrix} -0.1 \\ -0.2 \end{matrix}$

Material:	nominal ≤ 30 mm dimensions > 30 mm	DIN ISO 2768-f-H DIN ISO 2768-m-K excluding Sym./Runout
	Sym./Runout > 30 mm	DIN ISO 2768-H
DC Heating Station for Flag Style Plates	formed part dimensions	DIN ISO 2768-f-H
	Scale	Drawn J.Buechi
	1:2	Date 16.06.2021
	(1:1)	Changed 15.06.2023 JB
Ferrovac GmbH CH-8050 Zurich	THE INFORMATION CONTAINED IN THIS DRAWING IS THE SOLE PROPERTY OF FERROVAC GMBH. ANY REPRODUCTION IN PART OR AS WHOLE WITHOUT OUR PERMISSION IS PROHIBITED.	HSASOM40 (DCMD)
Rev. D		A3 sheet 1/1