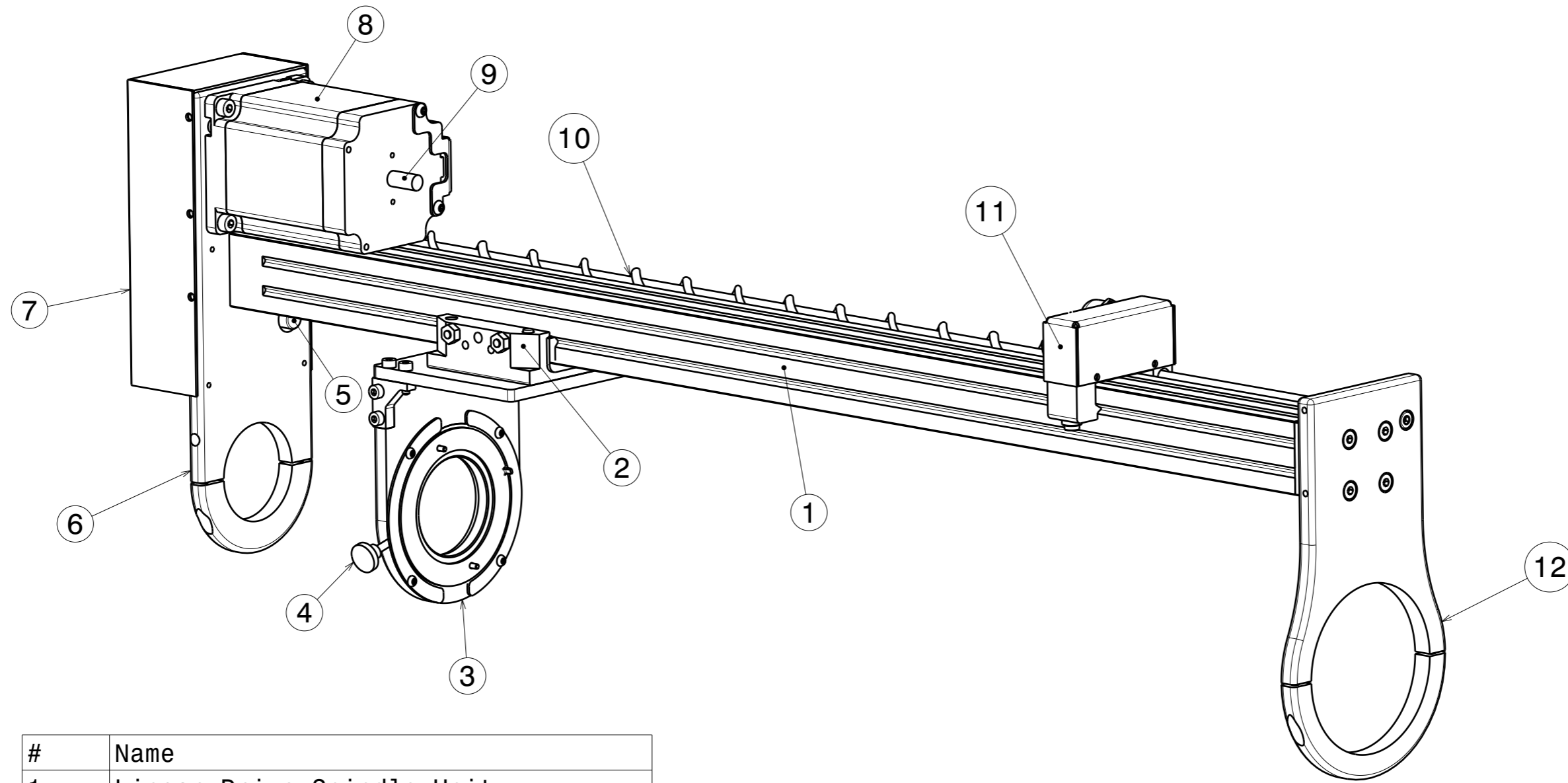


Material: various		nominal ≤30mm	DIN ISO 2768-f-H
		dimensions >30mm	DIN ISO 2768-m-K excluding Sym./Runout
		Sym./Runout >30mm	DIN ISO 2768-H
Motorized linear drive for sample transporter		formed part dimensions	DIN ISO 2768-f-H
DRVRMOTL		Scale	Drawn C. Weiss
		Date	13.01.2015
		Changed	12.02.2024 CW
<b>Ferrovac</b> CH-8050 Zurich		1:2	DRVRMOTL - XXXX
THE INFORMATION CONTAINED IN THIS DRAWING IS THE SOLE PROPERTY OF FERROVAC. ANY REPRODUCTION IN PART OR AS WHOLE WITHOUT OUR PERMISSION IS PROHIBITED.			A3 sheet 1/3
Rev.	D		

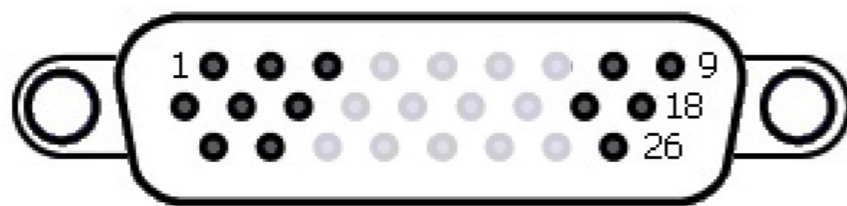


#	Name
1	Linear Drive Spindle Unit
2	Linear Carrier
3	Magnet Pickup Adapter
4	Knurled Rotational Lock Screw
5	Limit Switch (Back)
6	Sample Transporter Clamp (Back)
7	Cable / Gearbox Housing
8	Linear Actuator Stepper Motor
9	Motor Shaft Extension
10	Cable Guide
11	Limit Switch (Front)
12	Sample Transporter Clamp (Front)

$\sqrt{\text{Ra } 0.8}$  (✓)   
  $\swarrow \begin{matrix} +0.2 \\ +0.1 \end{matrix}$    
 $\searrow \begin{matrix} -0.1 \\ -0.2 \end{matrix}$

Material: various		nominal $\leq 30\text{mm}$	DIN ISO 2768-f-H
		dimensions $> 30\text{mm}$	DIN ISO 2768-m-K excluding Sym./Runout
		Sym./Runout $> 30\text{mm}$	DIN ISO 2768-H
Motorized linear drive for sample transporter		formed part dimensions	DIN ISO 2768-f-H
DRVRMOTL		Scale	Drawn C. Weiss
		1:2	Date 13.01.2015
			Changed 12.02.2024 CW
<b>Ferrovac</b> CH-8050 Zurich		THE INFORMATION CONTAINED IN THIS DRAWING IS THE SOLE PROPERTY OF FERROVAC. ANY REPRODUCTION IN PART OR AS WHOLE WITHOUT OUR PERMISSION IS PROHIBITED.	
Rev.	D	DRVRMOTL - XXXX A3 sheet 2/3	

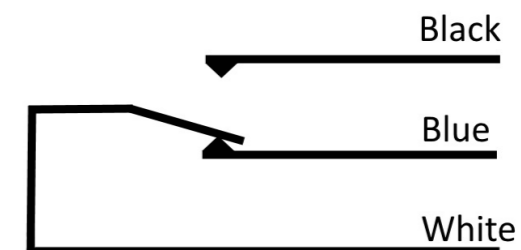
## D-Sub Connector, HD-26



D-Sub Pin	Function	
1	Motor	(A) BLK
2	Motor	(A*) BLK/WHT
3	Motor	(B\*) BLU/WHT
4		
5		
6		
7		
8	Endswitch (Back)	1
9	Reed Endswitch (Front)	Blue
10	Motor	(A\ ) GRN
11	Motor	(A\*) GRN/WHT
12	Motor	(B\ ) BLU
13		
14		
15		
16		
17	Endswitch (Back)	2
18	Reed Endswitch (Front)	White
19	Motor	(B) RED
20	Motor	(B*) RED/WHT
21		
22		
23		
24		
25		
26	Reed Endswitch (Front)	Black

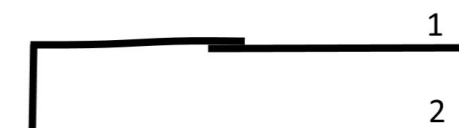
## Limit Switch (Front)

Type: reed switch



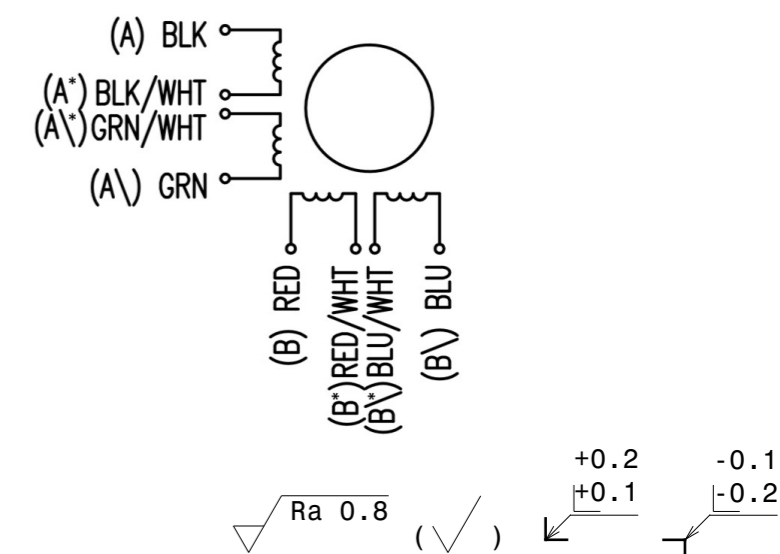
## Limit Switch (Back)

Type: push switch



## Motor Schematic

Type: Nanotec ST5918L2008-B



Material: various

nominal  $\leq 30\text{mm}$  DIN ISO 2768-f-H  
 dimensions  $> 30\text{mm}$  DIN ISO 2768-m-K excluding Sym./Runout  
 Sym./Runout  $> 30\text{mm}$  DIN ISO 2768-H

Motorized linear drive for sample transporter

formed part dimensions  
 DIN ISO 2768-f-H

DRVRMOTL

Scale	Drawn	C. Weiss
1:2	Date	13.01.2015
	Changed	12.02.2024 CW

**Ferrovac**  
 CH-8050 Zurich

THE INFORMATION CONTAINED IN THIS DRAWING IS THE SOLE PROPERTY OF FERROVAC. ANY REPRODUCTION IN PART OR AS WHOLE WITHOUT OUR PERMISSION IS PROHIBITED.

Rev. D

DRVRMOTL - XXXX

A3 sheet 3/3